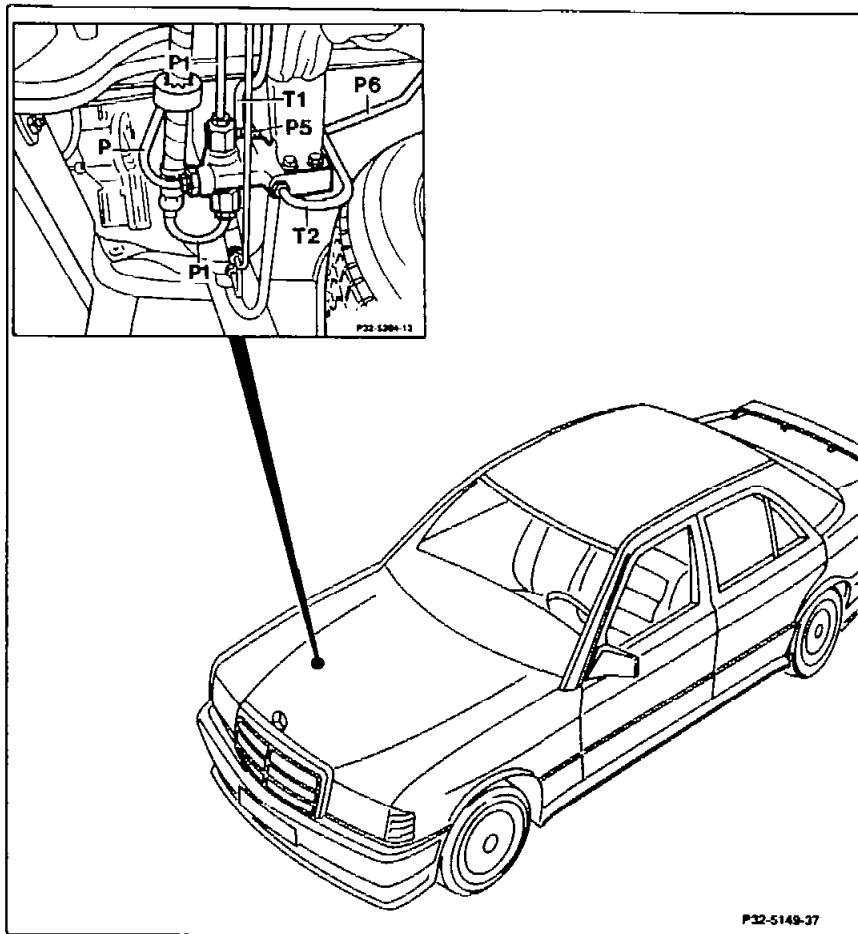


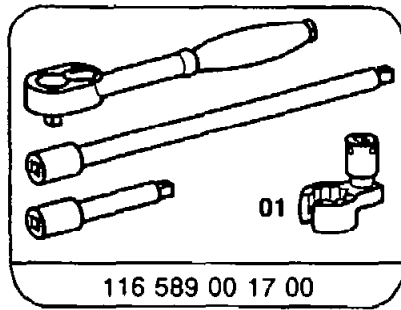
32-0680 Removing and installing distributor valve (models 201.034/035/036)

Preceding work:
Pressure oil system emptied (32-0630).



Pressure lines (P, P1, P5 and P6)	Disconnect, connect using open box wrench 116 589 00 17 00. M10 × 1: 14 Nm, M12 × 1: 20 Nm, M12 × 1.5: 25 Nm.
Return lines (T1 and T2)	Disconnect, connect using open box wrench 116 589 00 17 00. M10 × 1: 14 Nm, M12 × 1: 20 Nm, M12 × 1.5: 25 Nm.
Distributor valve	Remove, install.

Special tools



Commercially available tools

Double-head box wrench 10 × 11 mm

e.g. Messrs. Hazet
D-5630 Remscheid

Double-head box wrench 12 × 14 mm

e.g. Messrs. Hazet
D-5630 Remscheid

Removing and installing

1 Disconnect lines (P, P1, P5, P6, T1 and T2) from distributor valve using an open box wrench.

Installation notes

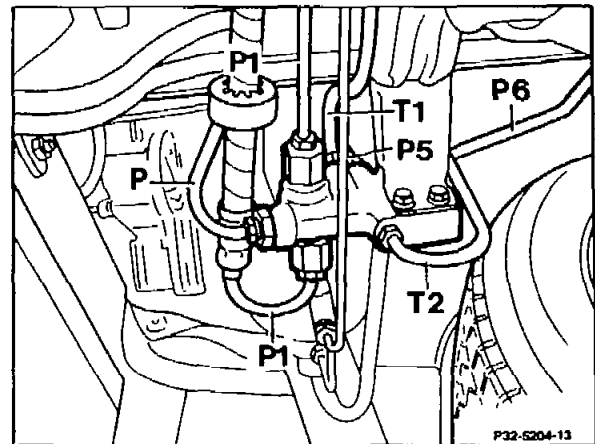
Check line connections for leaks.

Tightening torques:

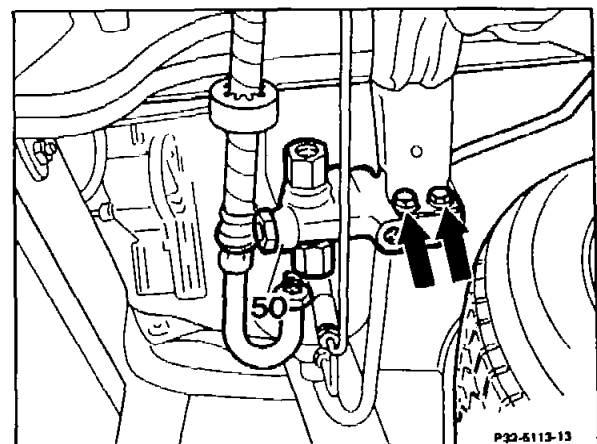
M10 × 1: 14 Nm,

M12 × 1: 20 Nm,

M12 × 1.5: 25 Nm.



2 Unscrew hexagon bolts (arrows) and remove distributor valve (50).



3 Install in the reverse sequence.