

15-7100 Removing and installing starter

Preceding work:

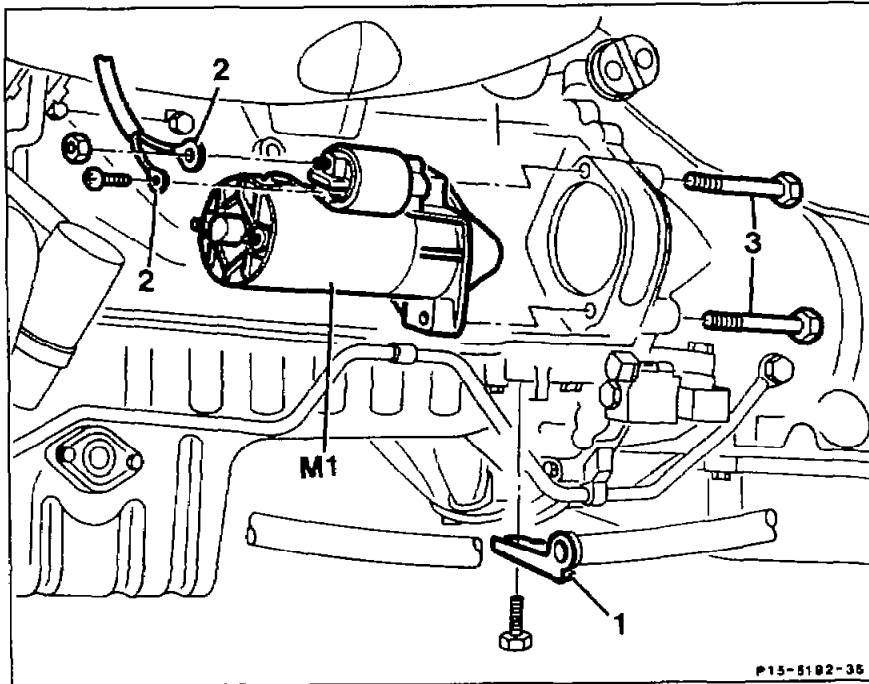
Engine compartment panel removed (81-0105) engines 102, 103, 104, 111, 119.974/975

Noise encapsulation removed (94-5305)

Air cleaner removed (09-400) engines 601, 602.91, 603.91

Operation no. of operation texts and work units or standard texts and flat rates:

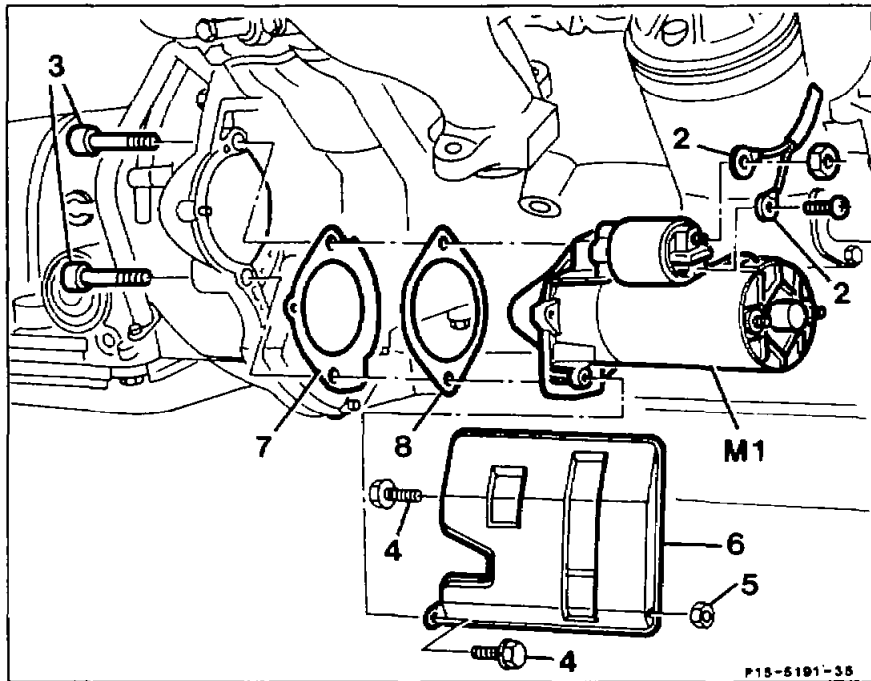
A. Engines 102, 103, 104, 111, 601, 602, 603, 605, 606



Ground cable at battery	disconnect, connect.
Hose holder (1) with ASD	unscrew, screw on.
Electrical connections (2)	disconnect, connect.
Engine 603.963	remove left drag link on pitman arm, reinstall (46-0550).
Bolts (3)	unscrew, screw in.
Starter (M1)	take out downward, insert from below.
Note	
On engines 601, 602, 603 with engine oil cooler, the following additional operations are necessary.	
Thermostat for fuel preheater	remove, install.

Bolts of left and right engine mounts (from below)	remove, install.
Engine	raise, lower.
Starter (M1)	take out downward, insert from below.

B. Engines 119.974/975



Battery ground cable	disconnect, connect.
Steering	turn to left.
Shield on pitman arm	remove, reinstall.
Bolts (4)	screw out, screw in.
Nut (5)	screw off, screw on.
Shield (6)	remove, install.
Electrical connections (2)	disconnect, reconnect.
Bolts (3)	screw out, screw in.
Starter (M1)	remove downward, install from below, remove and reinstall shim(s) (8) and splash guard (7), if present.