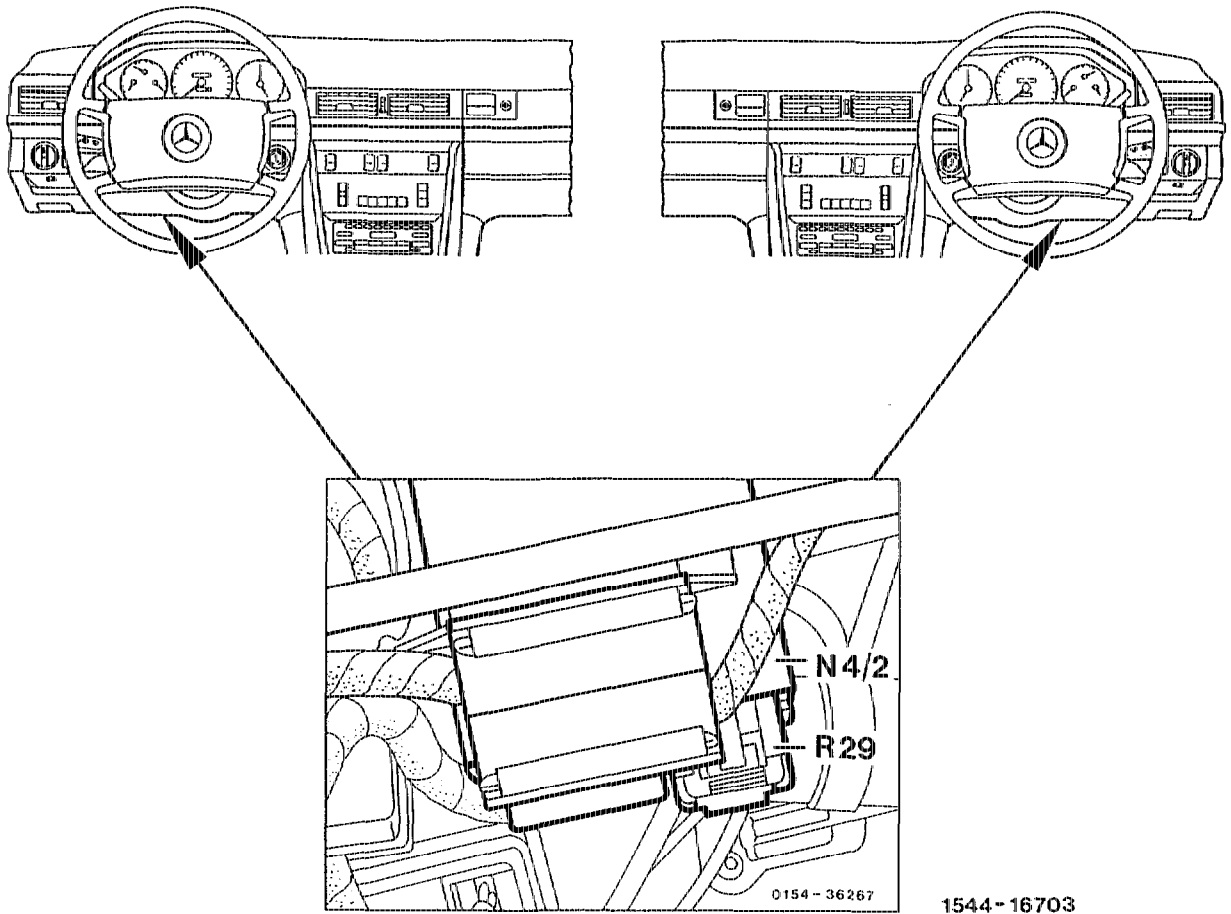


## 30-566 Removal and installation of cruise control reference resistor

Preceding work:  
Cover at left or right under instrument panel  
removed (68-150).

Operation no. of operation texts and work units or standard texts  
and flat rates

### A. Model 124



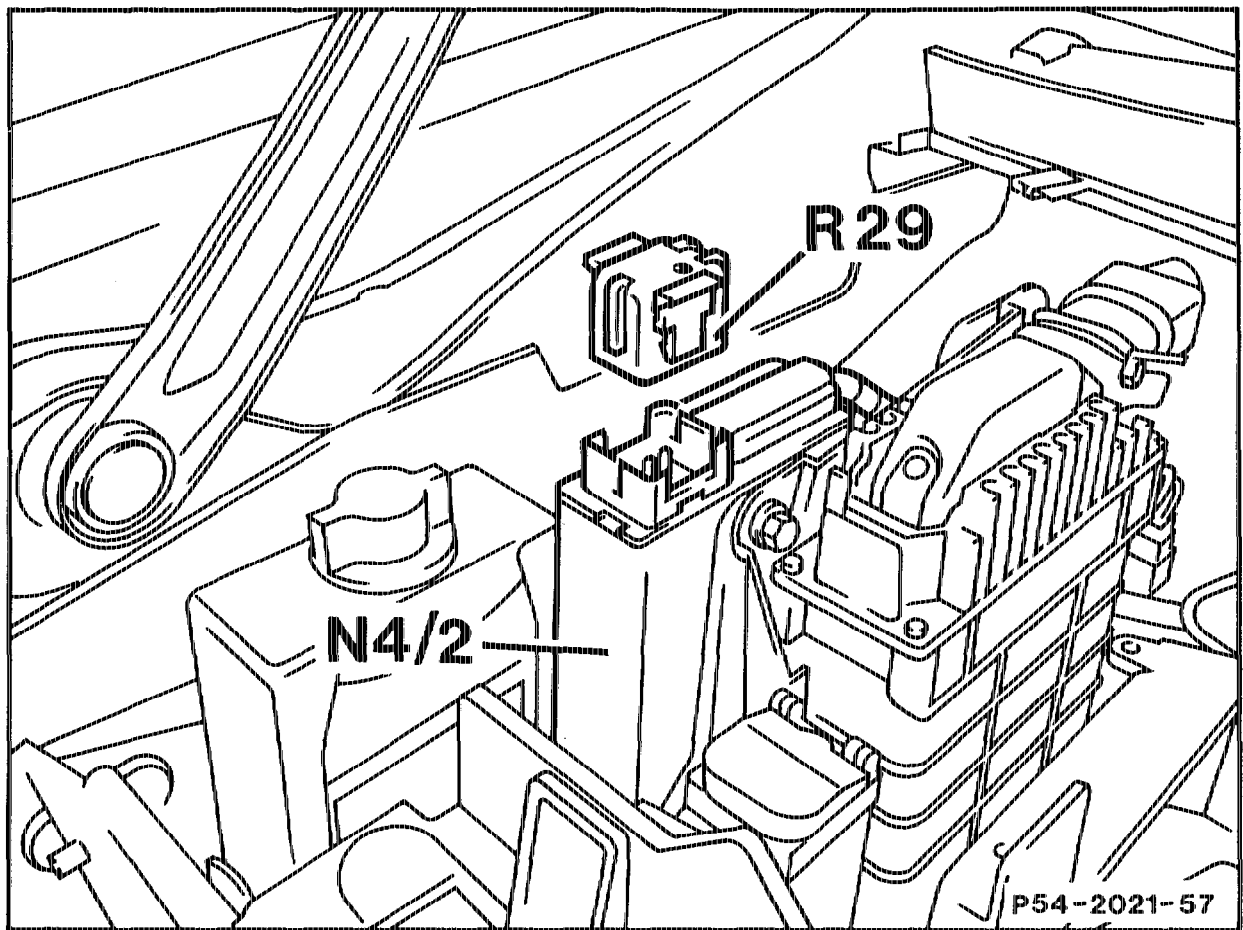
Tempomat/cruise control reference resistor (R29)  
at Tempomat/cruise control (TPM) reference  
resistor amplifier (N4/2) .....

disconnect, by pushing lateral retaining tongues  
and connect.

Function test .....

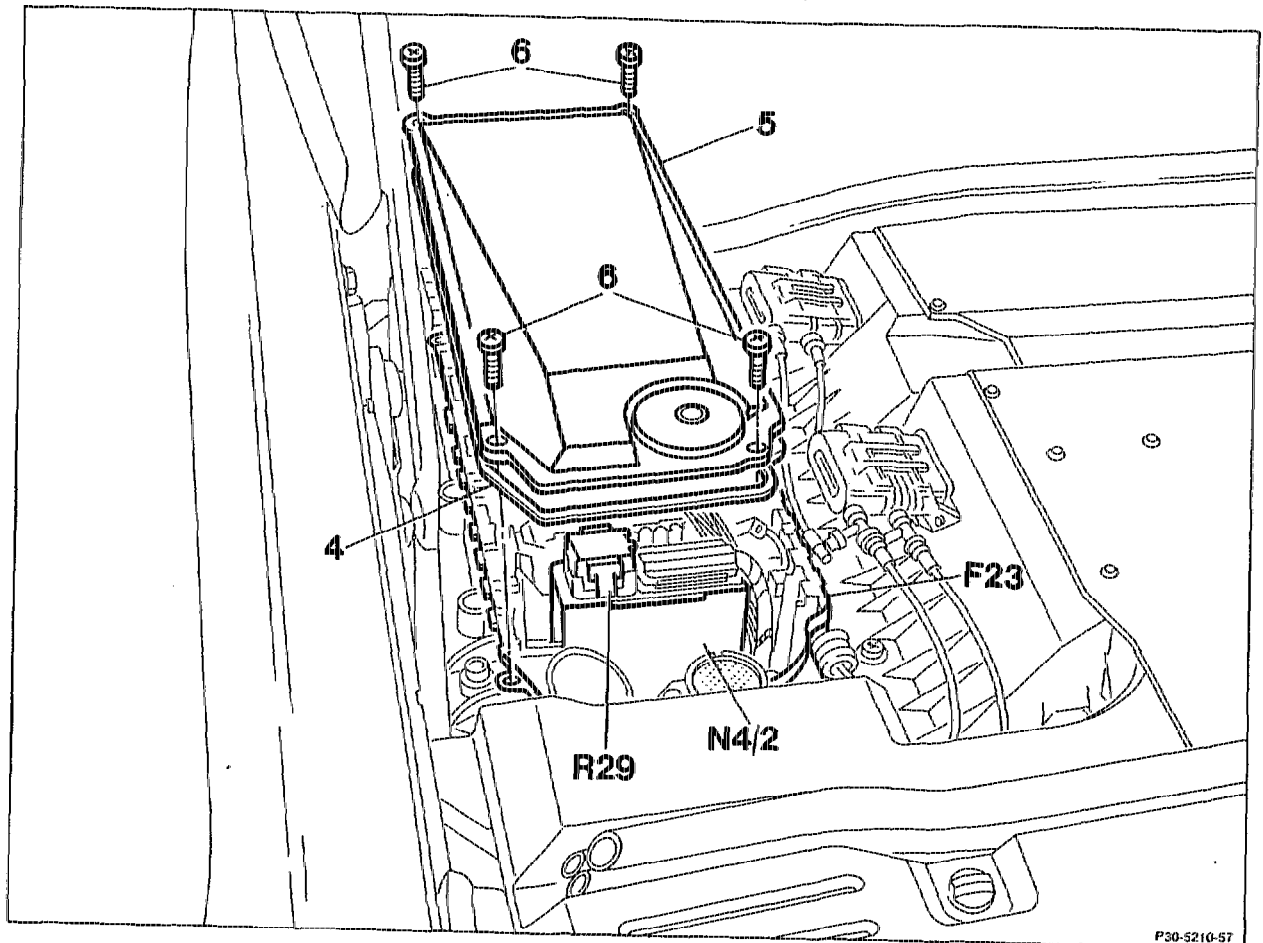
perform on road.

**B. Model 129**



Cover of unit compartment, right .....	remove, install.
Tempomat/cruise control reference resistor (R29) at Tempomat/cruise control (TPM) reference resistor amplifier (N4/2) .....	disconnect, by pushing lateral retaining tongues and connect.
Function test .....	perform on road.

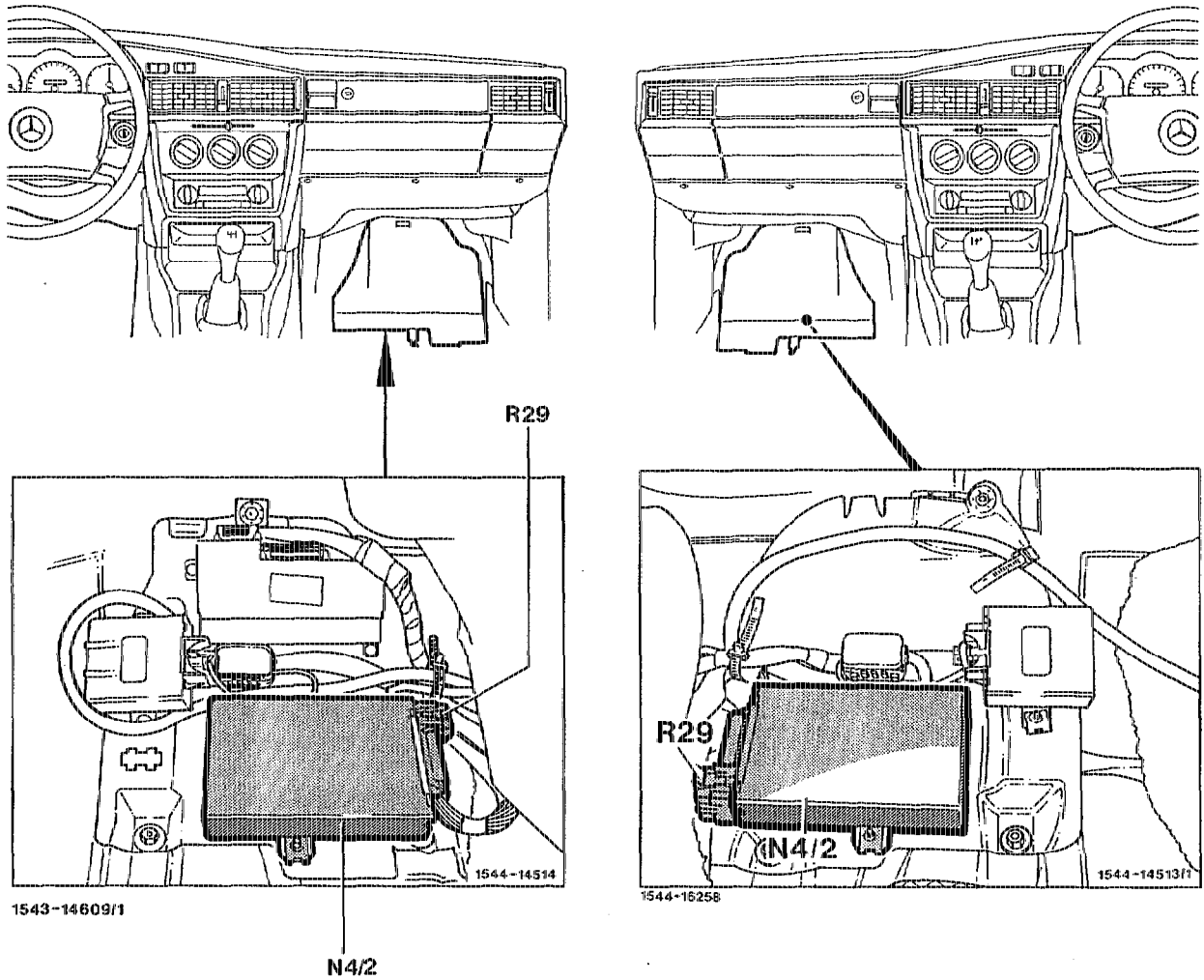
## C. Model 140



P30-5210-57

Screws (6) .....	unscrew, screw in.
Cover (5) of module box (F23) .....	lift, install.
Gasket (4) .....	check for damage, when installing, ensure correct seat of gasket (4).
Tempomat/cruise control reference resistor (R29) at Tempomat/cruise control (TPM) reference resistor amplifier (N4/2) .....	disconnect, by pushing lateral retaining tongues and connect.
Function test .....	perform on road.

D. Model 201



- |   |  |
|---|--|
| Floor mat front right or left .....   | remove, install.   |
| Foot support front right or left .....  | remove, install.   |
| Tempomat/cruise control reference resistor (R29)<br>at Tempomat/cruise control (TPM) reference<br>resistor amplifier (N4/2) ..... | disconnect, by pushing lateral retaining tongues<br>and connect. |
| Function test .....   | perform on road.   |