

Problem:

After vehicle has stood for a lengthy time (e.g. over night) engine only starts after lengthy attempt, has poor throttle response and cuts out again immediately.

Applies to all models with retrofitted immobilizer.

Cause

Vapor bubbles in fuel pipes.

Damage code: 82 815 XX

Remedy

Replace non-return valve.

Part	Part no.	Quantity
Non-return valve (black anodized)	000 476 37 32	1
Hose clip	003 997 90 90	4

Problem:

Engine surges after cold start

Engine 606.910  
up to 19.10.94

Cause

ISC control module

Damage code: 54 362 52

Remedy

- 1 Read fault memory.
- 2 Test ISC (see 07.1-2005), testing, setting idle speed (see 07.1-2053).
- 3 Install ISC control module with software 10/94 and green dot identification or as of production date 41/94.

Designation	Part no.
ISC control module with software 10/94 and green dot identification or as of production date 41/94 - <b>automatic transmission</b>	007 545 96 32
ISC control module with software 10/94 and green dot identification or as of production date 41/94 - <b>manual transmission</b>	006 545 36 32

Problem:

Black exhaust on long motorway trips in upper engine speed range (> 4000 rpm)

Engine 605.911:  
manual transmission up  
to engine end no.:  
038713  
automatic transmission  
up to engine end no.:  
015394

Engine 606.910:  
as of engine end no.:  
000001

Cause

Incorrect dipstick installed.

Damage code: 01 112 88

Remedy

Replace dipstick.

Designation	Part no.
Dipstick engine 605/ identification 60214	602 010 14 72
Dipstick engine 606/ identification 60604	606 010 04 72

Problem:

Engine cuts out when driving

Engine 605.911 in model  
124.126,  
124.186 up to 30.9.95

Engine 606.910 in model  
124.131,  
124.191 up to 30.9.95

Cause

Bush at injection pump for attaching fuel pipe worn.

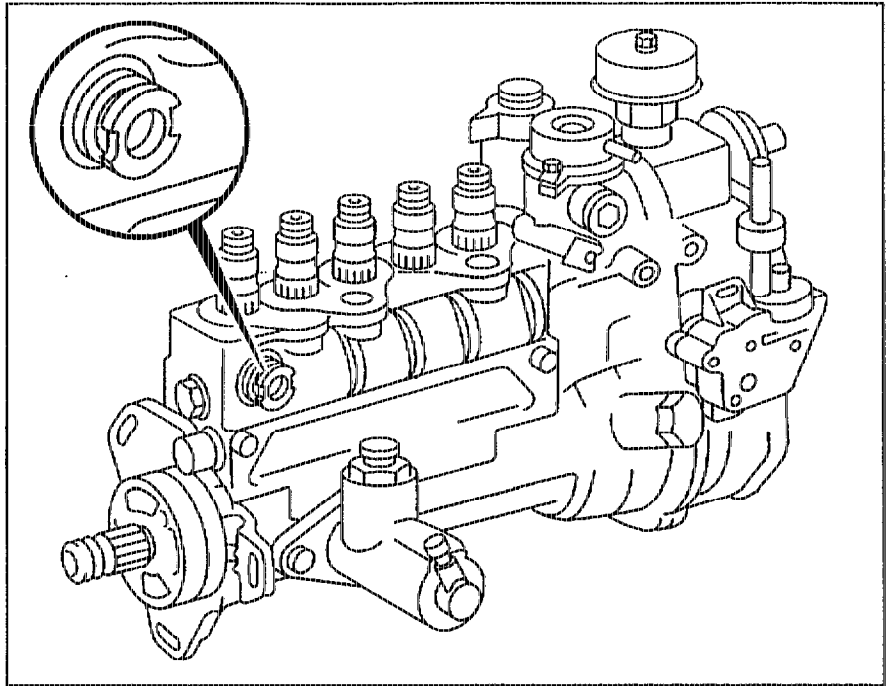
Damage code: 07 001 xx, note in message panel: pump feed leaking.

Remedy

Install modified fuel pipe with banjo bolt.

Tightening torque of banjo bolt for injection pump feed pipe  $12 \pm 1.2$  Nm.

Designation	Part no.	Qty.
Fuel pipe	601 070 53 32	1
Banjo bolt	601 990 08 63	1
Aluminium seal	N 007 603 012 113	2



P07.00-0236-35