

## 30-3402 Removing, installing and adjusting bowden cable

Preceding work:

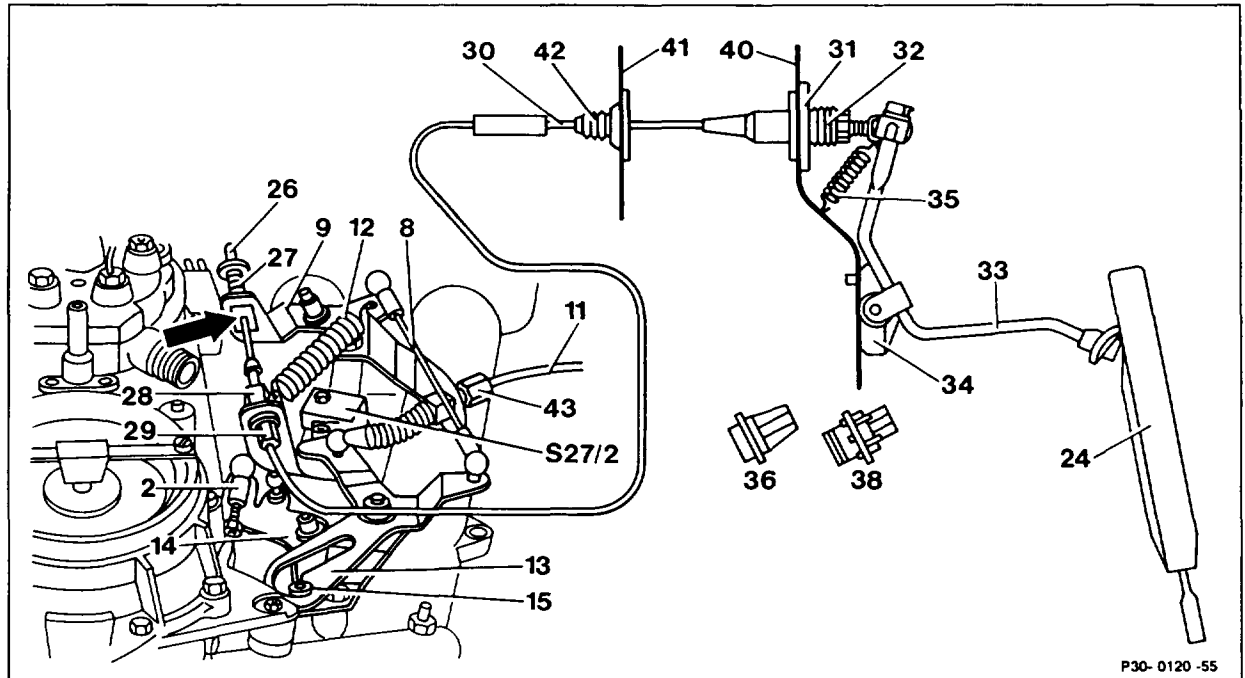
Removing and installing accelerator pedal (30-1321).

Removing and installing air cleaner (09-1051).

Operation no. of operation texts and work units or standard texts

and flat rates:

30-3402.



Shown on model 124

|                     |       |                  |
|---------------------|-------|------------------|
| Footwell trim       | ..... | remove, install. |
| Return spring (35)  | ..... | detach, attach.  |
| Return spring (12)  | ..... | detach, attach.  |
| Guide piece (arrow) | ..... | remove, install. |

### Note

First of all push plastic ball forward. When installing, ensure that the plastic ball engages in the guide piece.

|                   |       |                            |
|-------------------|-------|----------------------------|
| Bowden cable (30) | ..... | take out through the slot. |
| Plastic clip (28) | ..... | remove, install.           |
| Bowden cable (30) | ..... | take out, insert.          |
| Vacuum lines      | ..... | pull off, fit on.          |

Bowden cable (30) . . . . . push from passenger compartment toward engine compartment through the fire wall (40), insert.

**Note**

Do not press out rubber grommet (31).

Bowden cable (30) . . . . . take out of engine compartment panel (41), insert.

**Note**

The bearing points and the ball sockets of the accelerator control and also the Bowden cable between the end piece and guide piece should be greased with anti-corrosion grease 000 989 87 51 10.

Accelerator control linkage . . . . . adjust (30–1010).

**Note**

**Models 124 and 201 as of 01/93**

Bowden cable with double spiral (model 124 shortened cable length)