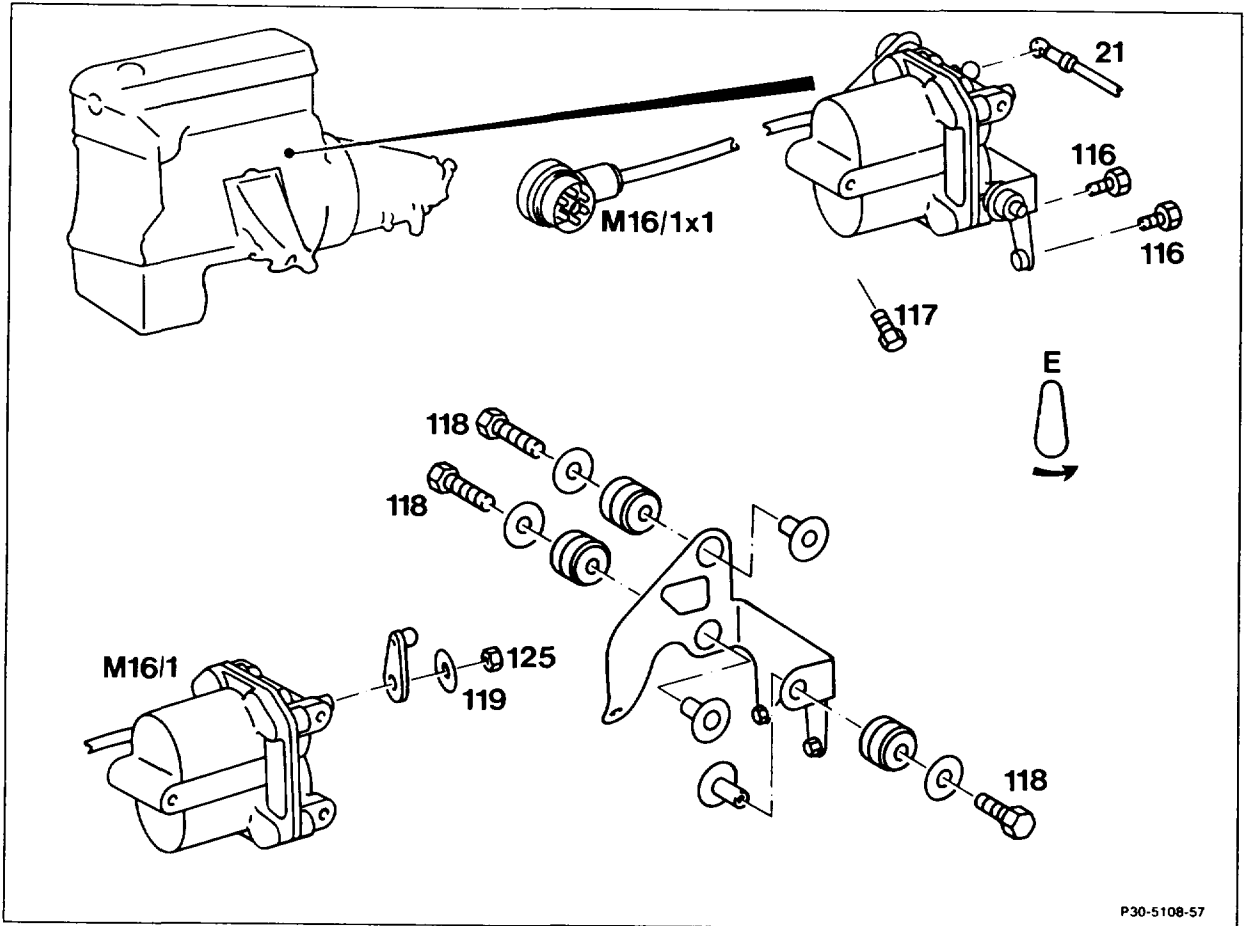


30-1152 Removing and installing electronic accelerator pedal actuator

Preceding work:
Removing and installing air cleaner (09-1051).

Operation no. of operation texts and work units or standard texts
and flat rates:
30-1151.



P30-5108-57

Battery	disconnect, connect.
Bottom engine compartment panel	remove, install.
Plug connection of electronic accelerator pedal actuator (M16/1x1) on model 124 at holder of diagnostic socket, on model 129 at right wheel-house or on model 201 at holder of ABS hydraulic unit	unplug from coupling, plug in.
Cable of electronic accelerator pedal actuator (M16/1)	expose.
Push rod (21) at electronic accelerator pedal actuator (M16/1)	detach, attach, adjust (30-1010).
Securing bolts (116, 117)	unscrew, screw in.

Electronic accelerator pedal actuator (M16/1) with holder	take out downward. On model 124 with A/C compressor, slacken the bottom securing bolts for engine mount and raise engine.
Securing bolts (118)	unscrew, screw in. Tightening torque 12 Nm.
Locking washer (119)	release, secure.
Securing nut (125)	take out, insert. Tightening torque 10 Nm.
Lever (E)	take off, fit on.

Installation note

Turn drive shaft of electronic accelerator pedal
actuator (M16/1) in opposite direction to arrow
against stop, install lever (E) and secure nut
(126).

Accelerator control linkage	adjust (30–1010).
-----------------------------------	-------------------