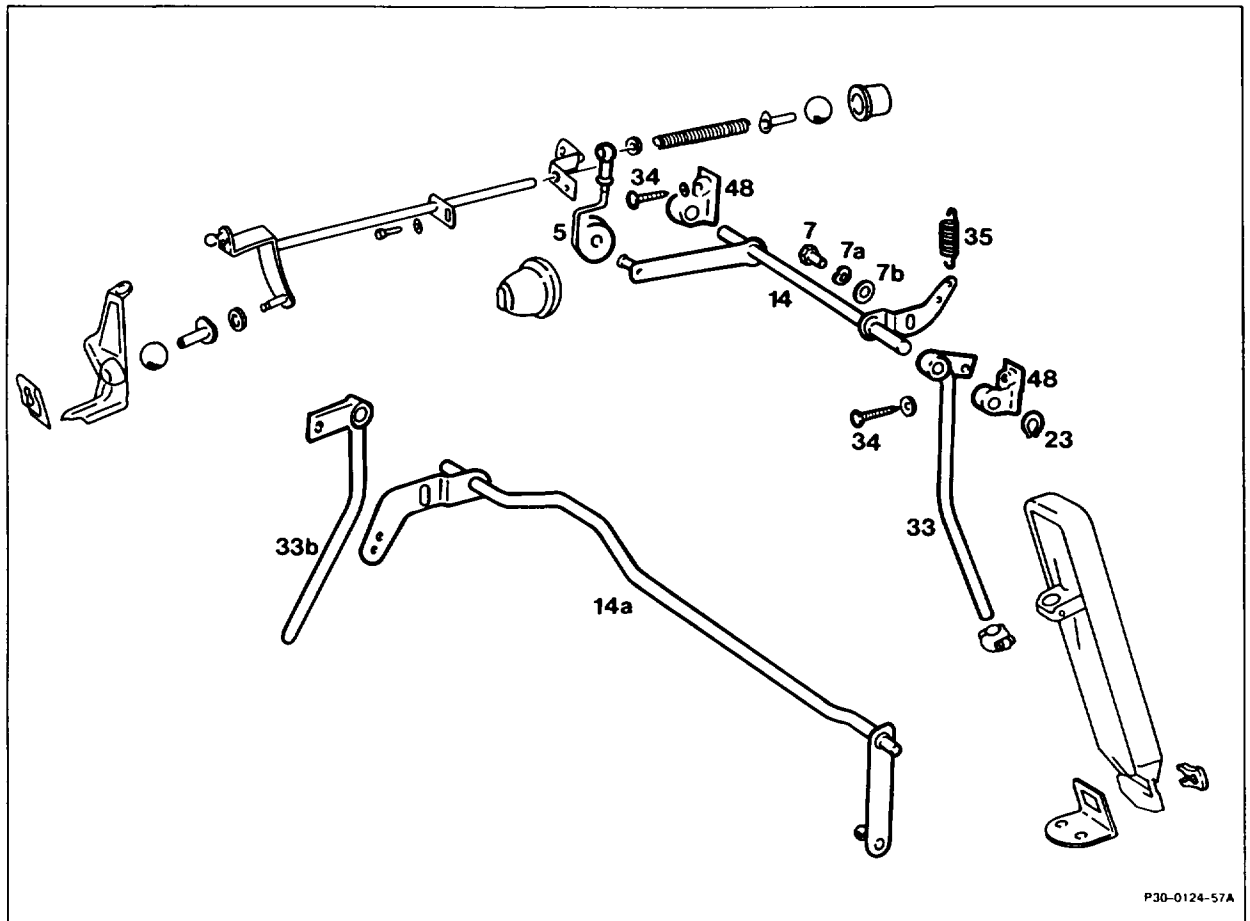


30-0320 Removing, installing and adjusting chassis accelerator control shaft, model 107



P30-0124-57A

14 LHD accelerator control shaft
14a RHD accelerator control shaft

33 LHD accelerator pedal lever
33b RHD accelerator pedal lever

Accelerator pedal	remove, install (30-1321).
Footwell trim	remove, install.
Push rod (5) with damper ring	press off lever of accelerator control shaft, fit on. Pay attention to note.
Heater box	remove, install (83-100).
Return spring (35)	detach, attach.
Screws (34)	unscrew, screw in.
Fire wall bearing (48)	push out upward, install.

Accelerator control shaft (14, 14a) take off with bearing, fit on.

Circlip (23) pull off, fit on.

Bolt (7), corrugated washer (7a), washer (7b) . . . unscrew, screw in.

Accelerator pedal lever (33, 33b) pull off, fit on.

Accelerator control linkage adjust (30-1010).

Note

Grease the bearing points and also the ball sockets of the accelerator control with anti-corrosion grease 000 989 87 51 10.

Note

Since 02/81 the push rod (5) is fitted with a bush (5a) to the accelerator control shaft (14, 14a).

Retrofitting is possible as follows:

- Lightly grease button pin (a) with anti-corrosion grease 000 989 87 51 10.
- Insert bush (5a) into push rod (5) and press push rod onto button pin (a). Ensure the bearing bush is correctly seated.

