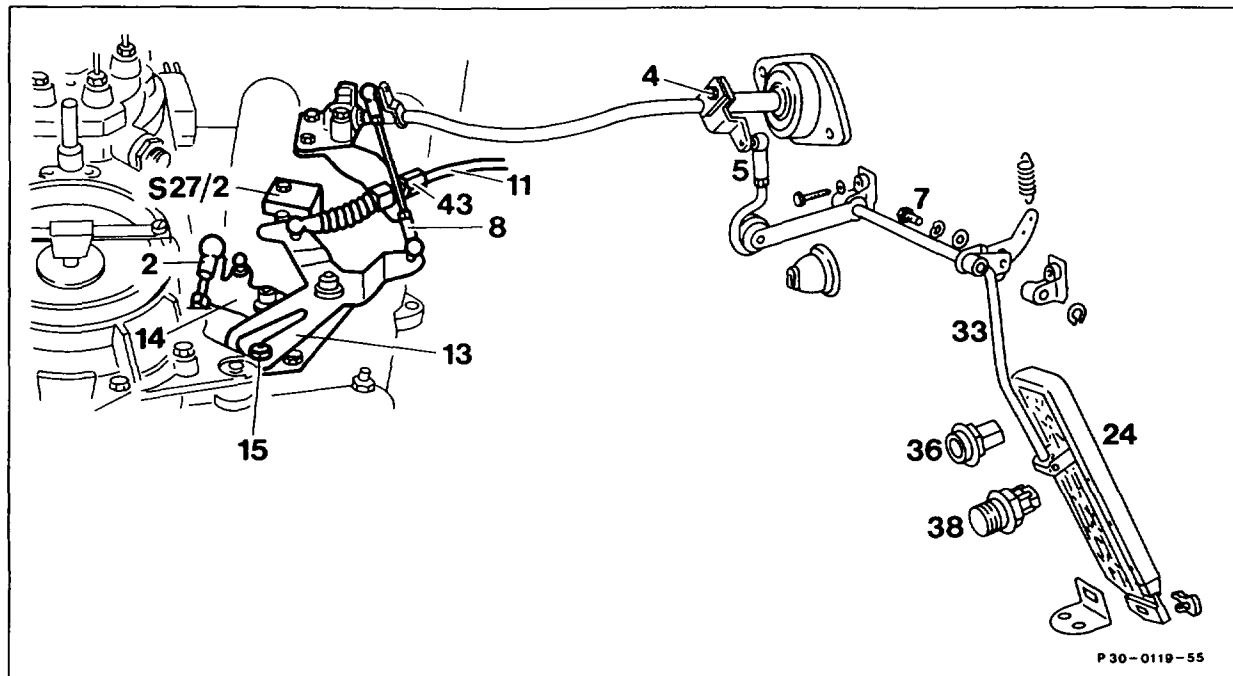


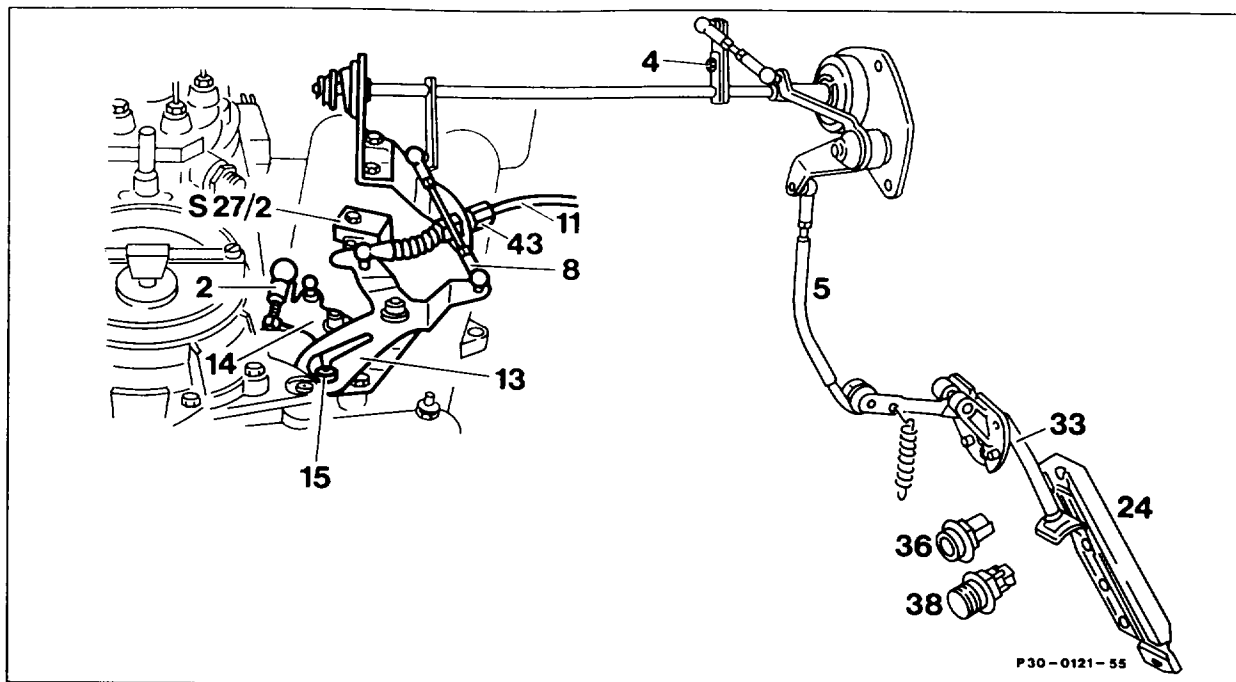
30-0310 Removing and installing engine longitudinal accelerator control shaft

Preceding work:
Removing and installing air cleaner (09-1051).

Operation no. of operation texts and work units or standard texts
and flat rates:



Model 107



P 30-0121-55

Model 126

Accelerator control rods detach, attach.
 Locking element at bearing bracket remove, install.

Model 126
 Take off spring retainer and compression spring.
 Longitudinal accelerator control shaft push to the rear and take out. When doing this,
 pay attention to compression spring, plastic
 bushes, articulated balls and washers.
 Bearing points and ball sockets grease with Molykote-Longterm 2.
 Accelerator control linkage check, adjust (30-1010).