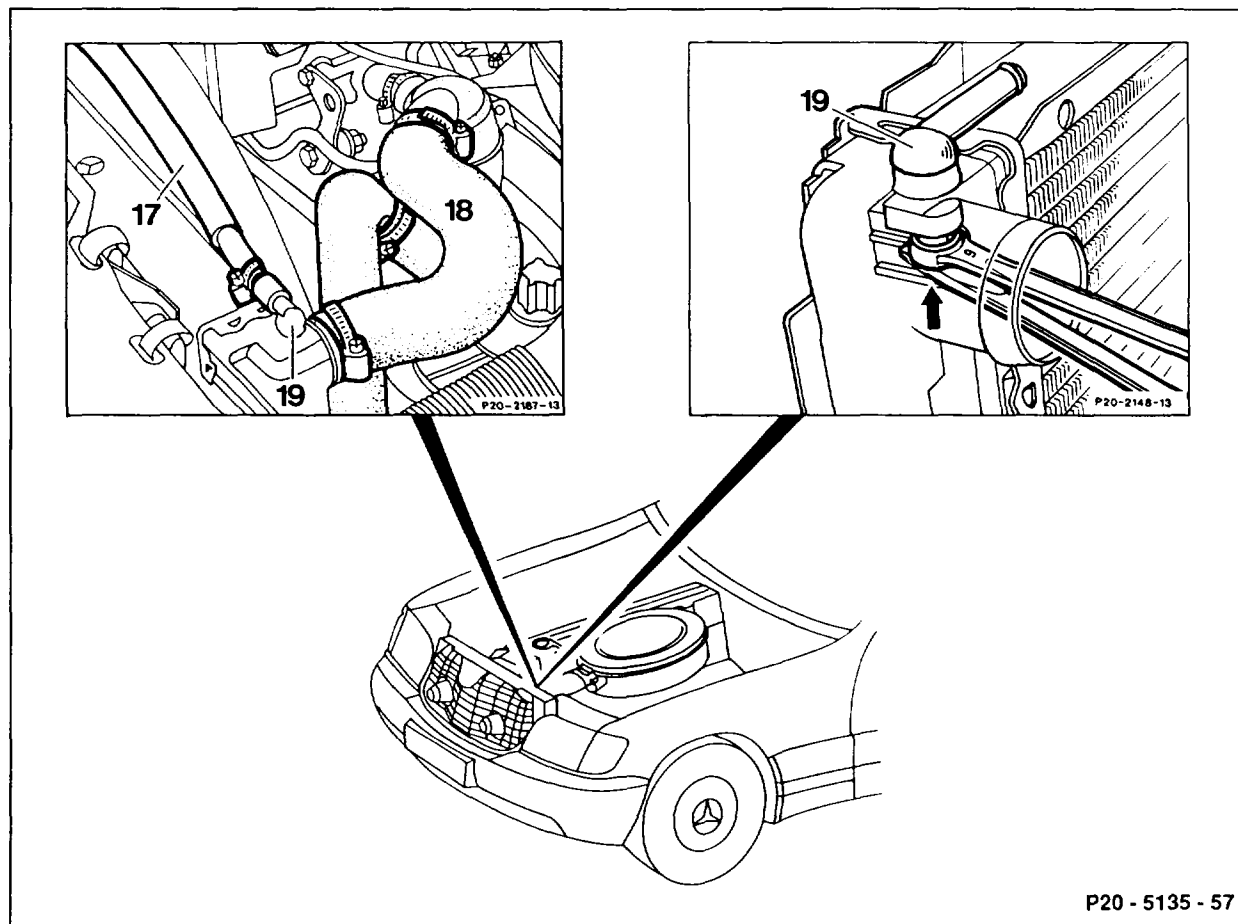


20-4270 Replacing vent connection at radiator

Preceding work:

Warning instructions when hood open (01-0085).



Coolant at radiator	drain, pour in (20-0100).
Coolant hoses (17) and (18) at radiator	disconnect, fit on.
Connection fitting (19)	illuminate from inside with rod lamp.
Straight ring wrench (9 mm)	fit onto connection fitting (19).
Screwdriver (arrow)	fit in place and push out connection fitting.
New connection fitting	insert.