

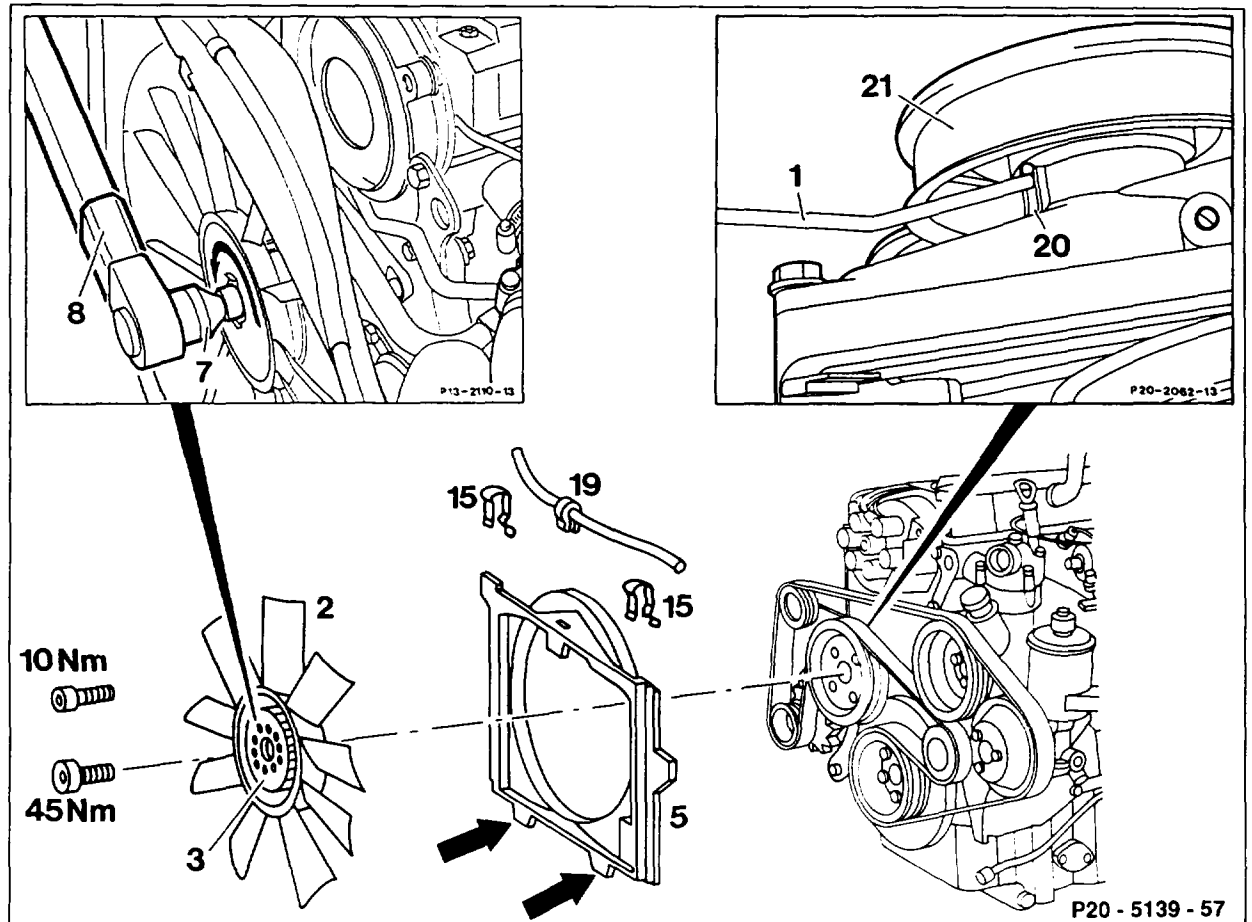
## 20-3120 Removing and installing viscous fan clutch

Preceding work:

Warning instructions when hood open (01-0085).

Fan shroud removed (20-3400).

### A. Models 107, 124, 126 fan shroud without fan shroud ring



- |   |   |
|---|---|
| Viscous fan clutch (3) .....              | turn with hexagon socket (7) 103 589 01 09 00<br>and torque wrench (8) 001 589 72 21 00.  |
| Counter-holder (1) 103 589 00 40 00 ..... | allow to engage from the rear of the belt pulley<br>(21) into the retaining slot (20) of fan bearing<br>bracket and at the same time into retaining hole<br>of belt pulley. |

- Viscous fan clutch (3) with fan (2) . . . . . unscrew, remove, install (45 Nm).
- Viscous fan clutch (3) of fan (2) . . . . . unscrew, screw on (10 Nm).

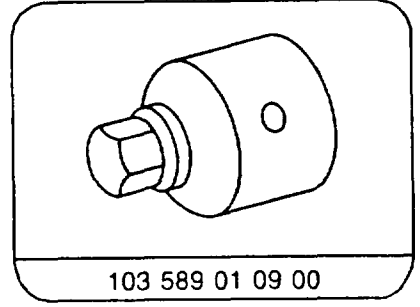
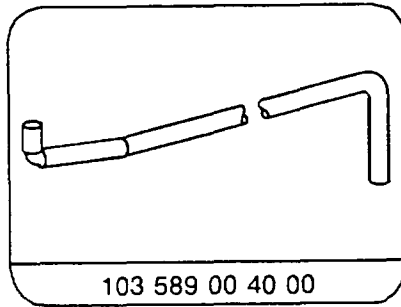
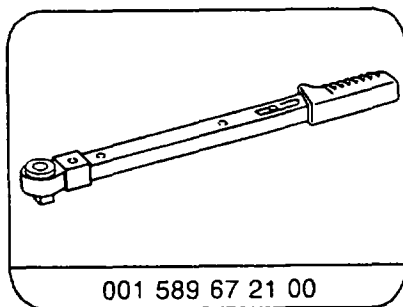


The cast part number of the fan (2) must be positioned at the front (radiator side).

**Tightening torques in Nm**

Viscous fan clutch to bearing body	45
Fan to viscous fan clutch	10

**Special tools**



**Modifications to viscous fan clutch and to fan**

An improved cooling capacity is achieved by using a fan with 9 (previously 11) vanes and a modified viscous fan clutch.

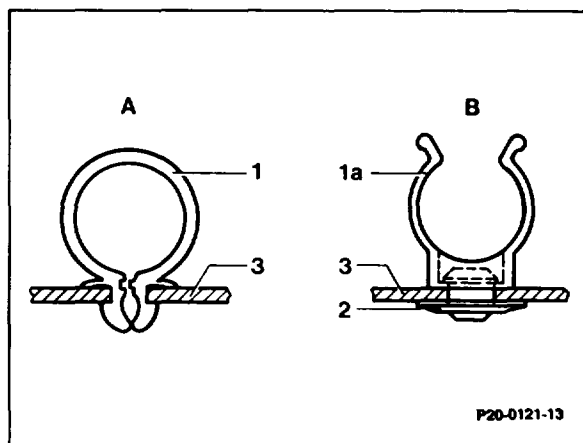
**Viscous fan clutch modified, production breakpoint: 11/1987**

Model	Engine	Engine end no.		Vehicle ident end no.	
		manual transmission	automatic transmission	A	F
124.026	103.940	017337	037141	640984	060739
124.030 124.050 124.090	103.983	018887	097940	*	*
124.226	103.943	000151	000334	*	*
124.230 124.290	103.985	000623	002259	*	*
126.020	103.941	003051	010055	382144	*
126.024 126.025	103.981	005076	045443	*	*

\* not recorded

**Modified hose holder**

The hose holder (1, 1a) for attaching the vent hose at the fan shroud (3) has been modified.



**Hose holder, production breakpoint: 02/1988 – 05/1988**

Model	Engine	Engine end no.		Vehicle ident end no.	
		manual transmission	automatic transmission	A	F
107.041	103.982	*	*	089178	*
124.026	103.940	*	*	732131	*
124.030 124.050	103.983	*	*	*	*
124.090	103.983	*	*	*	065912
124.226	103.943	*	*	*	*
124.230 124.290	103.985	*	*	*	*

\* not recorded

**Modifications to attachment of viscous fan clutch to fan bearing bracket**

The length of the bolt for attaching the viscous fan clutch to the fan bearing bracket has been modified from M10×60 to M10×45. This facilitates installation of the viscous fan clutch when changing the poly V-belt.

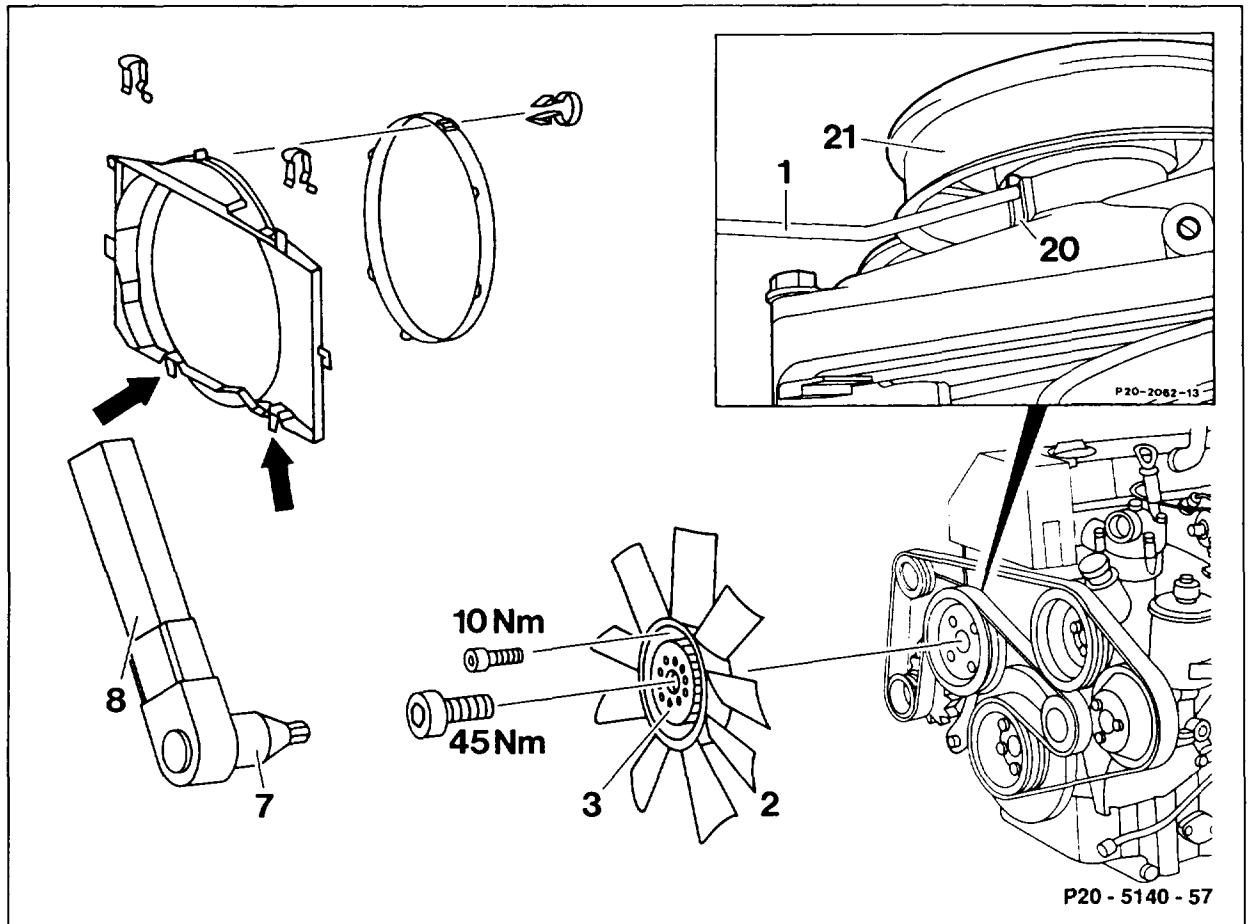
**Length of bolt of viscous fan clutch, production breakpoint: 08/1988**

Model	Engine	Engine end no.		Vehicle ident end no.	
		manual transmission	automatic transmission	A	F
107.041	103.982	002031	008845	*	*
124.026	103.940	023093	051714	*	*
124.030 124.050 124.090	103.983	025247	130873	*	*
124.226	103.943	000300	000679	*	*
124.230 124.290	103.985	001411	005031	*	*
126.020	103.941	003587	012094	*	*
126.024 126.025	103.981	006011	064846	*	*
201.029	103.942	011048	014816	*	*

\* not recorded

Preceding work:  
Fan shroud removed (20-3400).

## B. Models 124, 126 fan shroud with fan shroud ring



- |   |  |
|---|--|
| Viscous fan clutch (3) .....              | turn with hexagon socket (7) 103 589 01 09 00 and torque wrench (8) 001 589 72 21 00.  |
| Counter-holder (1) 103 589 00 40 00 ..... | allow to engage from the rear of the belt pulley (21) into the retaining slot (20) of fan bearing bracket and at the same time into retaining hole of belt pulley. |
| Viscous fan clutch (3) with fan (2) ..... | unscrew, remove, install (45 Nm).  |
| Viscous fan clutch (3) of fan (2) .....   | unscrew, screw on (10 Nm).   |

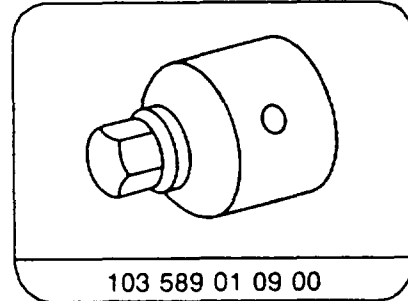
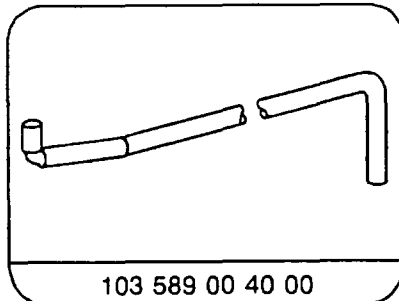
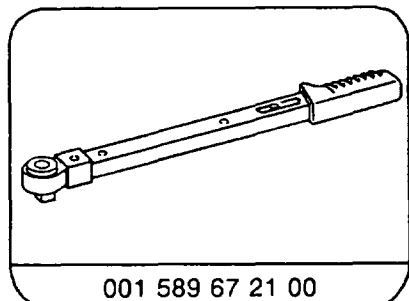


The cast part number of the fan (2) must be positioned at the front (radiator side).

### Tightening torques in Nm

Viscous fan clutch to bearing body	45
Fan to viscous fan clutch	10

### Special tools



### Note

The fan shroud has been split. This provides improved accessibility to the poly V-belt.

Production breakpoint for

Model 124: 12/1989 or 4/1990

Model 126: 08/1990



- Counter-holder (1) 120 589 02 01 00 . . . . . remove, fit on.  
 Viscous fan clutch (3) with fan (2) . . . . . unscrew with hexagon socket (7)  
 103 589 01 09 00 and torque wrench (8)  
 001 589 72 21 00, remove, install (45 Nm).  
 Viscous fan clutch (3) of fan (2) . . . . . unscrew, screw on (10 Nm).

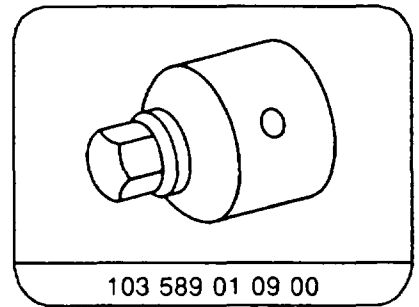
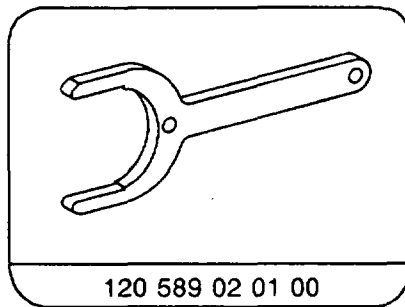
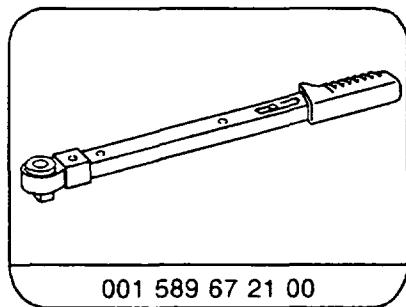


The cast part number of the fan (2) must be positioned at the front (radiator side).

### Tightening torques in Nm

Viscous fan clutch to bearing body	45
Fan to viscous clutch	10

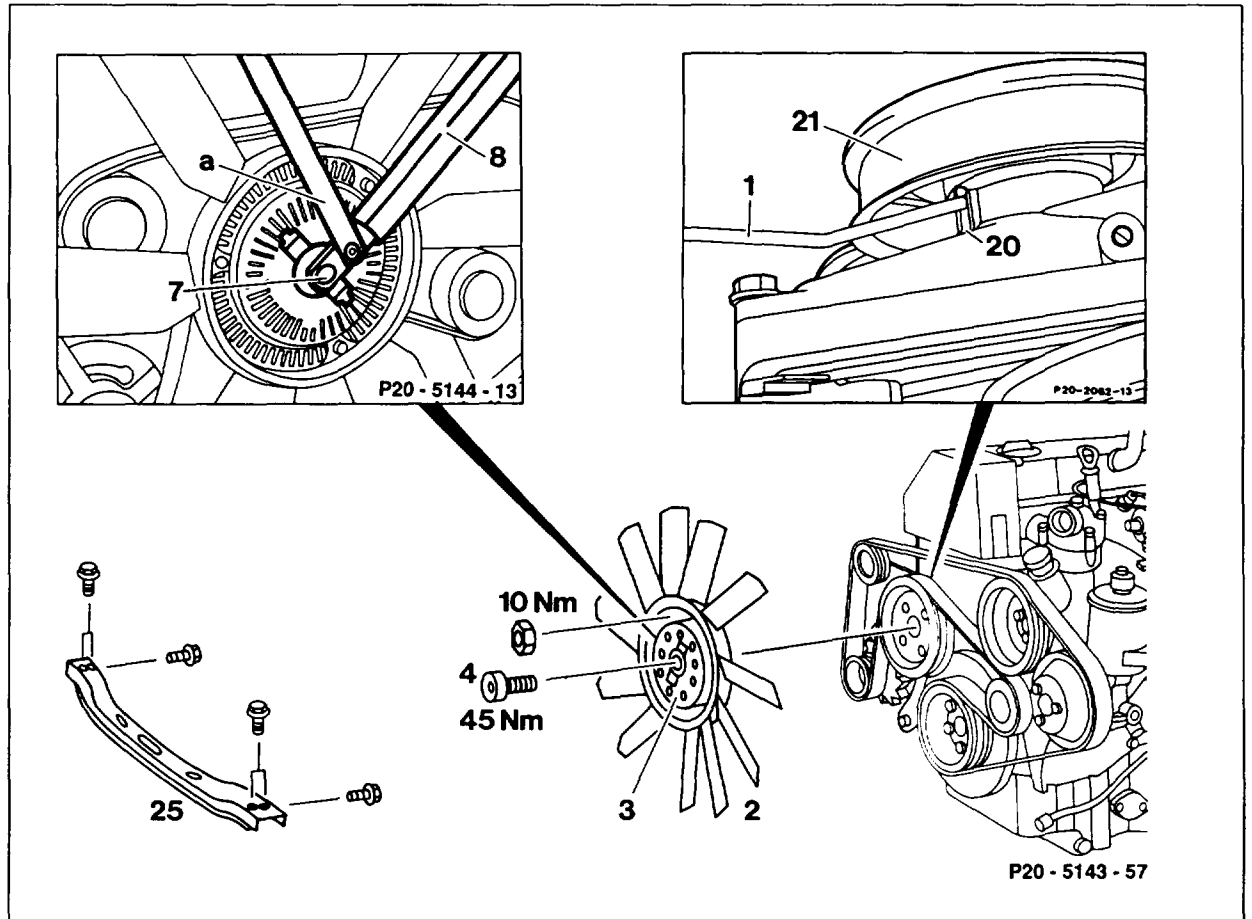
### Special tools





Preceding work:  
Fan shroud removed (20-3400).

## D. Model 201



Radiator bridge (25) .....	unscrew, screw on (9 Nm).
Bowden cable of hood lock .....	detach from radiator bridge (25), attach.
Wrench (7) 120 589 13 07 00 .....	position on bolt of viscous fan clutch.
Torque wrench (8) 001 589 72 21 00 with head removed (7) .....	position in wrench (7) and turn viscous fan.
Counter-holder (1) 103 589 00 40 00 .....	allow to engage from the rear of the belt pulley (21) in the retaining groove (20) of the fan bearing bracket and at the same time into the retaining hole of the belt pulley.
Screw (4) of viscous fan clutch (3) .....	slacken, tighten (45 Nm).

Radiator .....	push slightly forward.
Wrench (7) with handle (a) .....	turn.
Screw (4) .....	unscrew, screw on.
Viscous fan clutch (3) with fan (2) and screw (4) .	remove, install.
Viscous fan clutch (3) of fan (2) .....	unscrew, screw on (10 Nm).

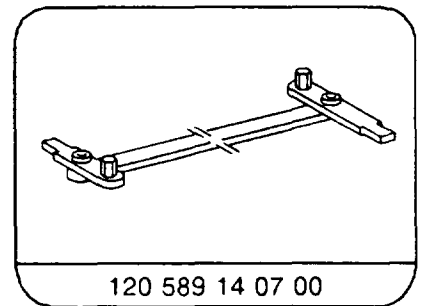
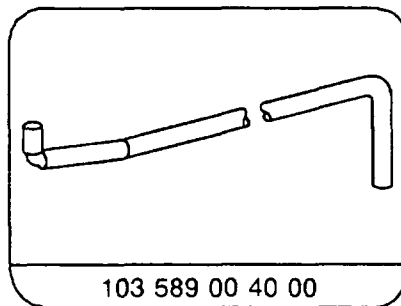
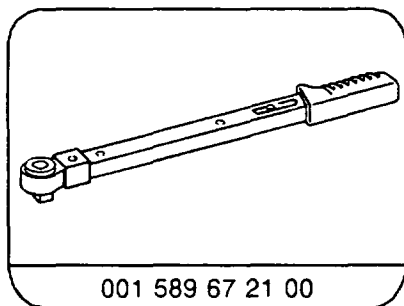


The cast part number of the fan (2) must be positioned at the front (radiator side).

### Tightening torques in Nm

Viscous fan clutch to bearing body	45
Fan to viscous fan clutch	10

### Special tools



### Note

An improved cooling capacity has been achieved by modifying the viscous fan clutch.

The fan is attached to the viscous fan clutch with M6 stud bolts and nuts (previously M6 bolts + washers).

### Stud bolts at the viscous fan clutch, production breakpoint: 11/1987

Model	Engine	Engine end no.		Vehicle ident end no.	
		manual transmission	automatic transmission	A	F
201.029	103.942	007451	010349	422323	445905