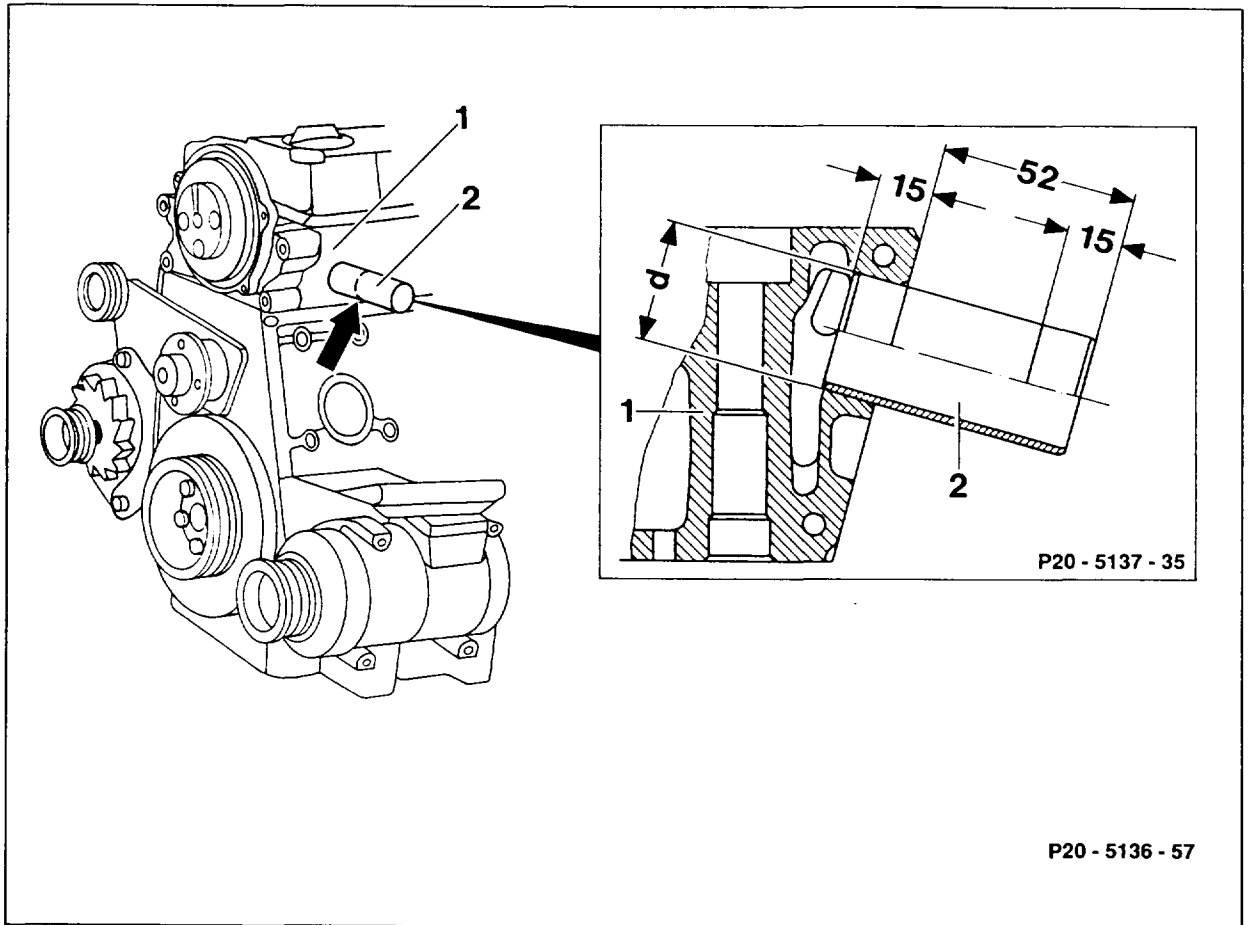


20-2110 Replacing connecting pipe from cylinder head coolant pump

Preceding work:

Coolant pump removed (20-2100).



d Fit hole 33.000 – 33.025 mm

- | | |
|---|--|
| Connecting pipe (2) | cut off with 15 mm projection (arrow). |
| Connecting pipe (2) | apply pressure to the side with a punch, loosen in cylinder head (1). |
| Connecting pipe (2) | pull out with pliers. |
| Connection of new connecting pipe (2) | coat with Loctite 270 high-strength 002 989 93 71 10. |
| New connecting pipe (2) | position at fit hole and knock in as far as stop with plastic-headed hammer. |