

20-2100 Removing and installing coolant pump

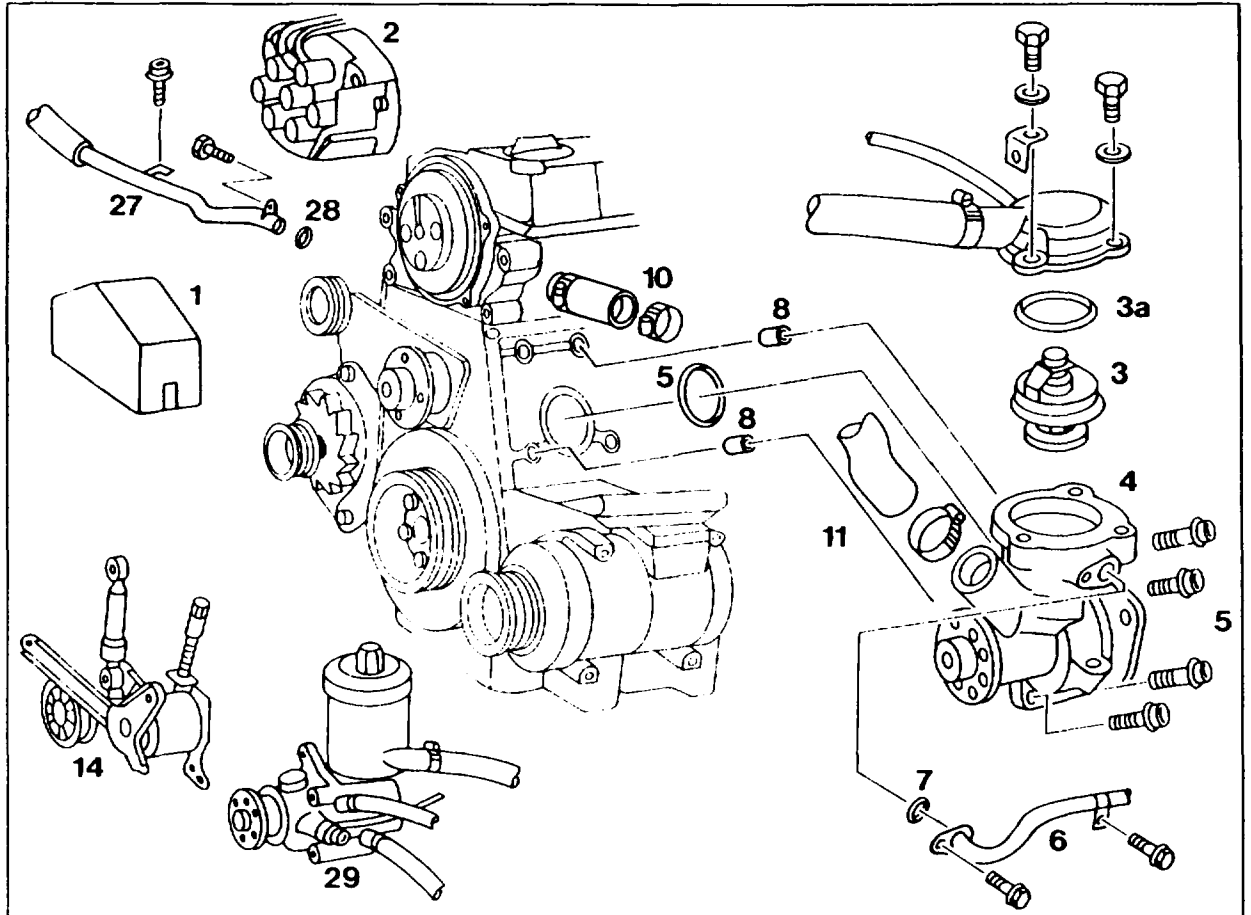
Preceding work:

Tensioning device removed (13-3450).

Power steering pump (29) swiveled to the side with lines connected.

connected.

Air cleaner removed (09-1051).



P20-5127-57

Coolant at radiator and crankcase	drain (20-0100).
If level control fitted: cover (1)	remove, install.
If level control fitted: high tension distributor (2)	unscrew, tilt to the side with ignition cable connected, screw on.
Heating water return pipe (27) at coolant pump (4) and viscous fan bearing bracket	unscrew, replace seal (28), screw on.
On vehicles with oil-water heat exchanger: cooling pipe (6) at coolant pump (4) and second intake manifold support	unscrew, replace seal (7), screw on.
Coolant thermostat (3)	remove, replace seal (3a), install (20-1100).
Coolant hoses (10) and (11)	disconnect, connect.

M8 x 30 screws (5) unscrew, screw on (25 Nm).

Installation note

Rear screws (5) because of accessibility insert into tapped holes with rod magnet.

Coolant pump (4) remove, install.

Note

The coolant pump is located with two dowel sleeves (8).

Seal (5) replace.

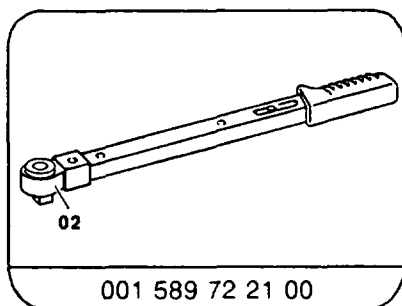
Cooling system test for leaks (20-0170).

Tightening torque in Nm

Screws of coolant pump to crankcase

25

Special tool



Commercially available tools

Hexagon socket wrench with 6 mm joint, 3/8"

Socket wrench hexagon 7 mm on flexible shaft
for hose clip with worm drive

eg. Hazet
D-42857 Remscheid
Order no. 426-7