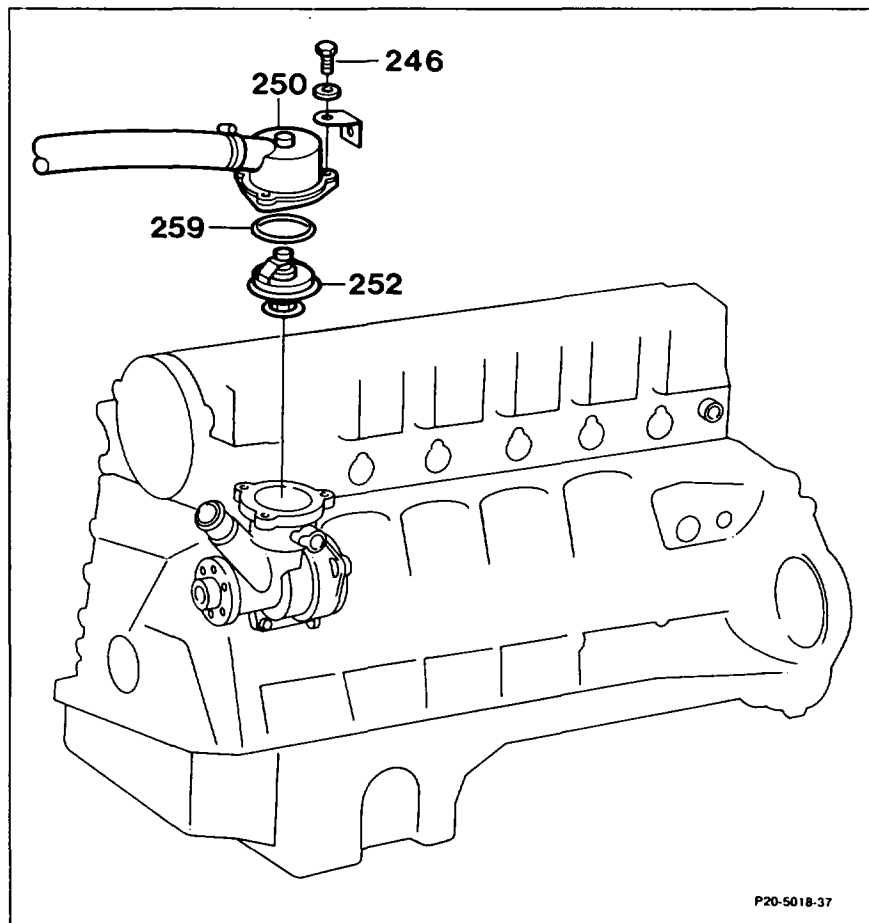


20-1100 Removing and installing coolant thermostat

Preceding work:
Coolant drained (20-0100).

Operation no. of operation texts and work units or standard texts
and flat rates
20-2460 - 20-2482



P20-5018-37

Top section of coolant thermostat housing

(250)

detach, attach, bolts (246) 6 Nm.

Coolant thermostat (252)

remove, install, renew O-ring (259). Insert
coolant thermostat so that ball valve is at the
highest point.