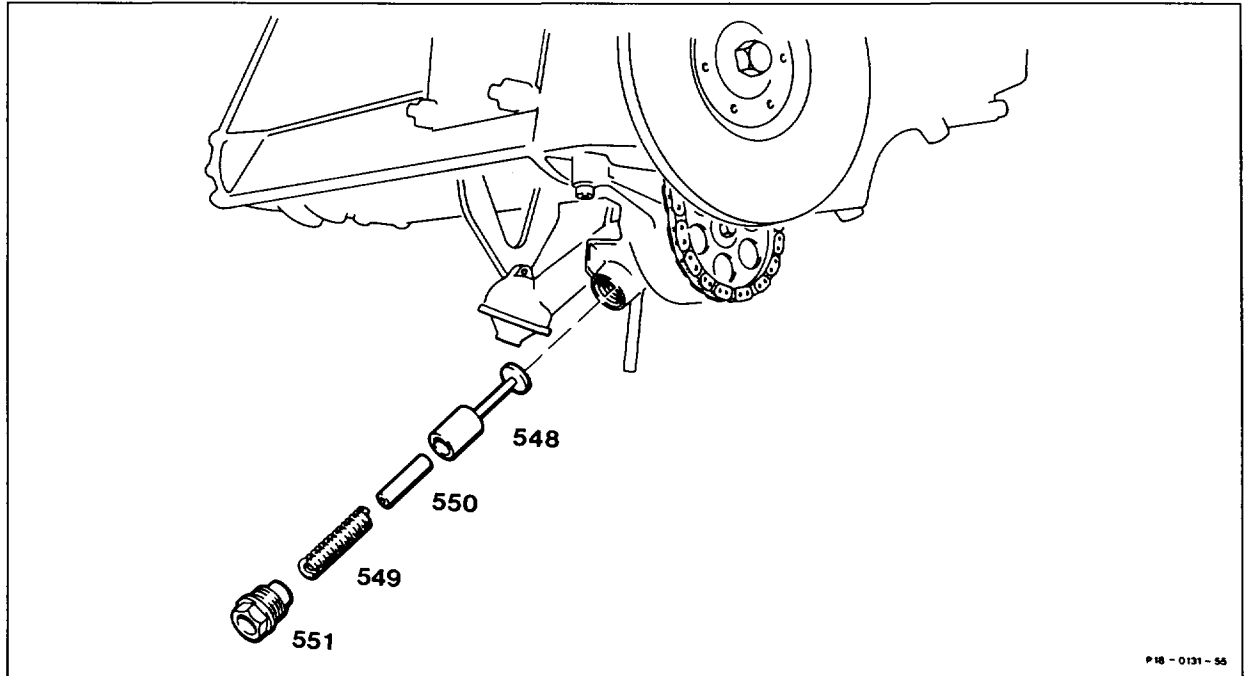


18-2150 Removing and installing oil pressure relief valve in oil pump

Preceding work:
Oil sump removed (01-3100).

Operation no. of operation texts and work units or standard texts
and flat rates
18-5043



Screw plug (551) remove, screw on (50 Nm)



Screw plug (551) is spring-tensioned.

Compression spring (549) remove, install.

Guide pin (550) remove, install.

Piston (548) remove, install.

Special tool

