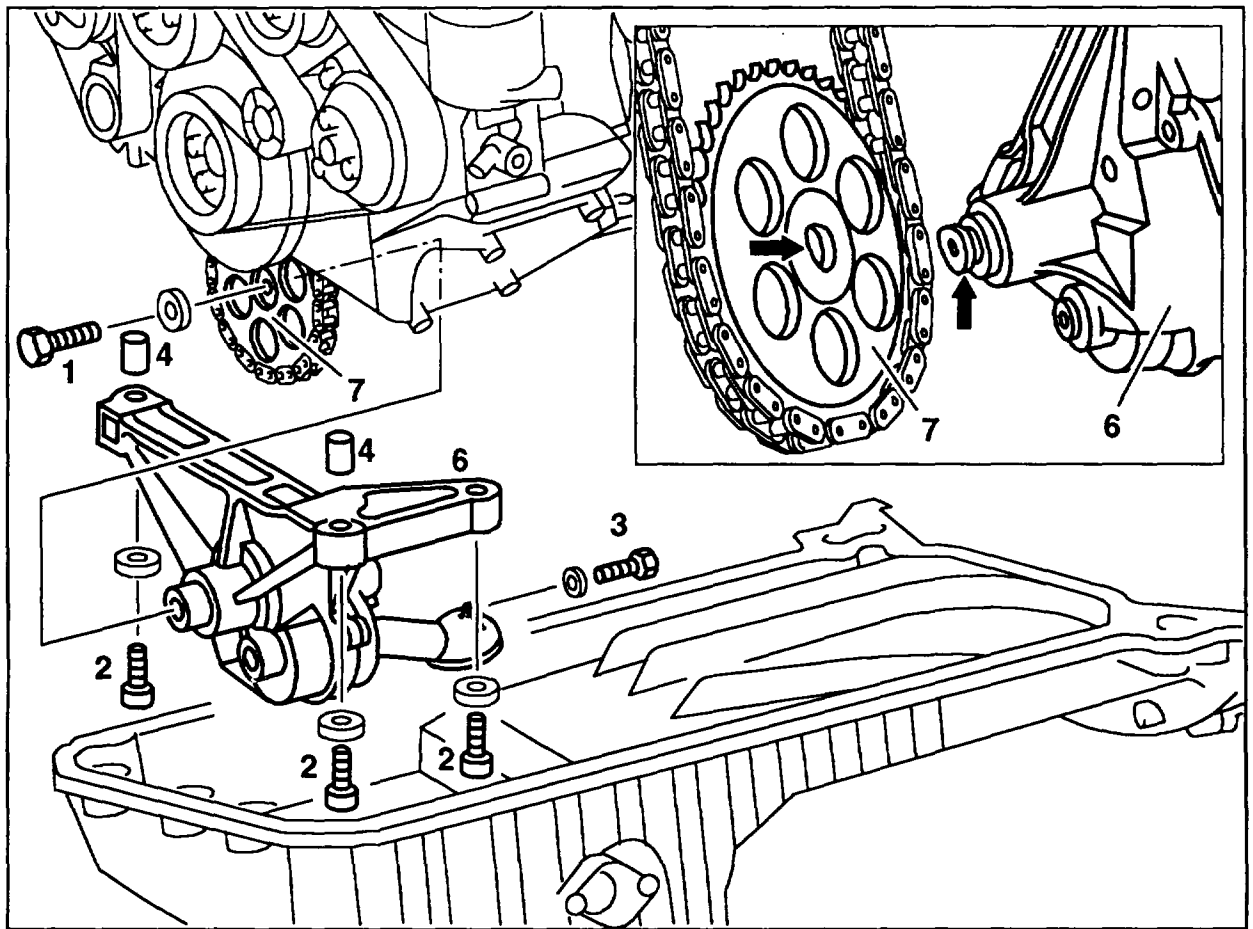


18-2100 Removing and installing oil pump

Preceding work:
Oil sump removed (01-3100).

Operation no. of operation texts and work units or standard texts
and flat rates
18-6020 - 18-6025



P18-5260-57

- 1 M8 x 20 bolt
2 M8 x 35 bolt + washer (hexagon socket)

- 3 M6 x 25 bolt + washer
4 Dowel sleeve

Bolt (1) of oil pump drive gear (6) unscrew, screw on (32 Nm)
Oil pump drive gear (7) at oil pump (6) pull off, fit on.

Installation note

Install oil pump drive gear (6) with convex face pointing toward oil pump (6) (arrows). Pay attention to position of tensioning bracket relative to oil pump.



Oil pump (6) unbolt, take off to the front, bolt on (25 Nm)

Installation note

Clean strainer of oil pump. Fill oil pump (6) with engine oil before installing so that it pumps engine oil as soon as it starts.

Tightening torques in Nm

Bolt of oil pump drive gear	32
Bolts of oil pump	25

Special tool

