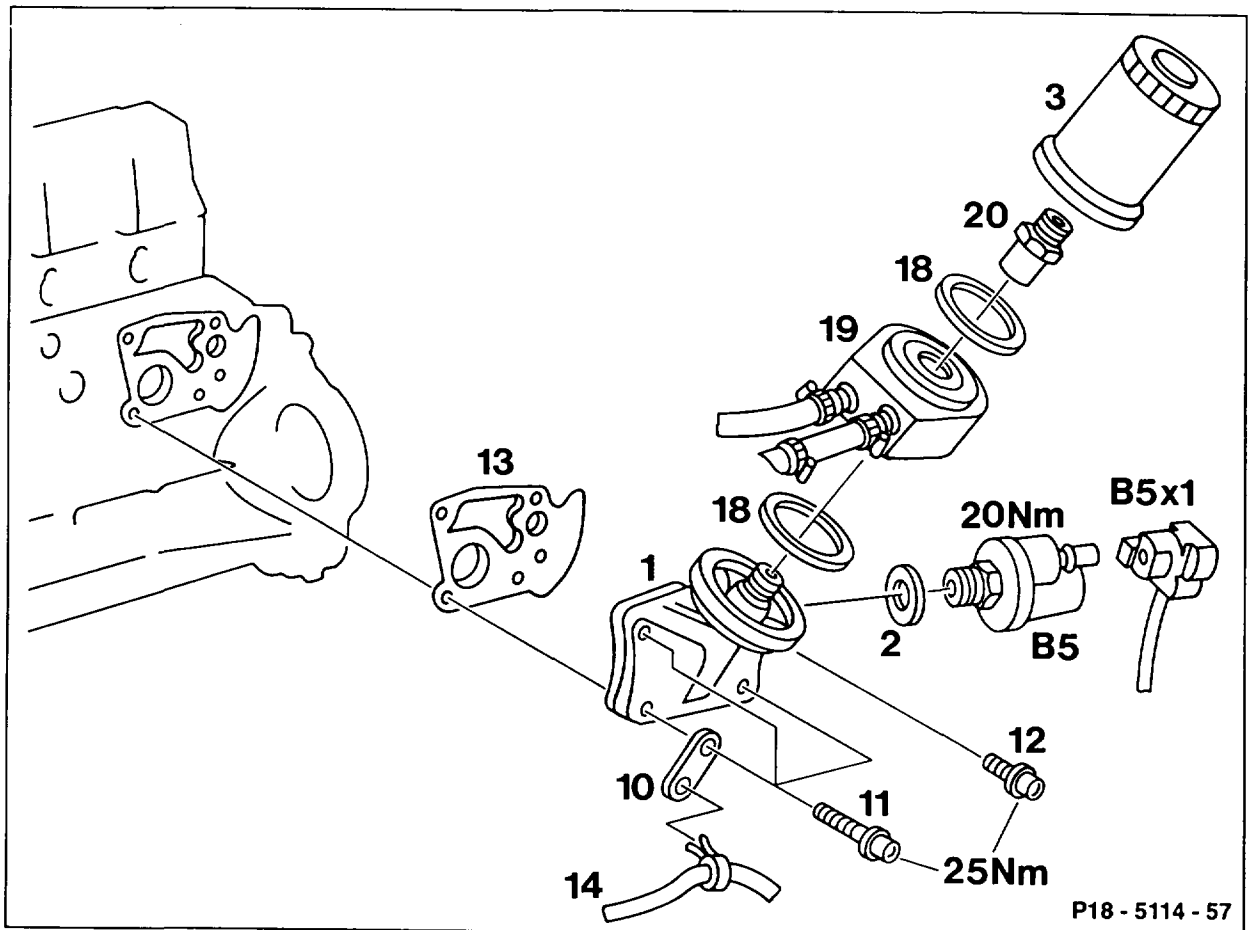


18-1100 Removing and installing oil filter

Preceding work:
Air cleaner removed (09-1051).

Operation no. of operation texts and work units or standard texts
and flat rates
18-3090 - 18-3800



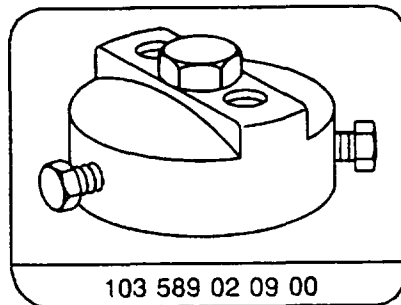
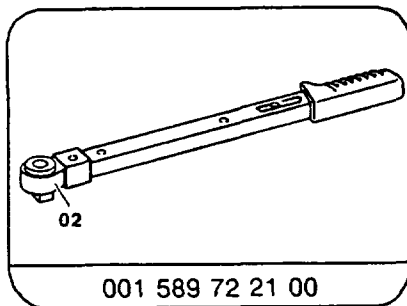
Replaceable cartridge (3)	remove, install (18-0020) with wrench socket 103 589 02 09 00.
Plug connection (B5x1) of oil pressure sensor (B5)	unplug, plug in.
Models 107, 126: oil pressure sensor (B5)	unscrew, screw on (20 Nm).
On engine 103.942/981/982 with automatic transmission: oil-water heat exchanger (19)	remove, install (18-1320).
Cable (14) of crankshaft position sensor at holder (10)	unclip, clip in place.
M8 × 50 screws (11) and M8 × 30 (12)	unscrew, screw on (25 Nm).
Oil filter (1)	remove, install.

Sealing surfaces	clean.
Gasket (13)	replace.
Engine oil level	check, adjust to correct level.
Engine	run, check for leaks.

Tightening torques in Nm

Oil filter screws	25
Oil pressure sensor to oil filter	20

Special tools



Modified gasket between oil filter and crankcase

The present version (B) is pierced only in the area of the feed and return which ensures improved leaktightness.

Production breakpoint: 07/1988

