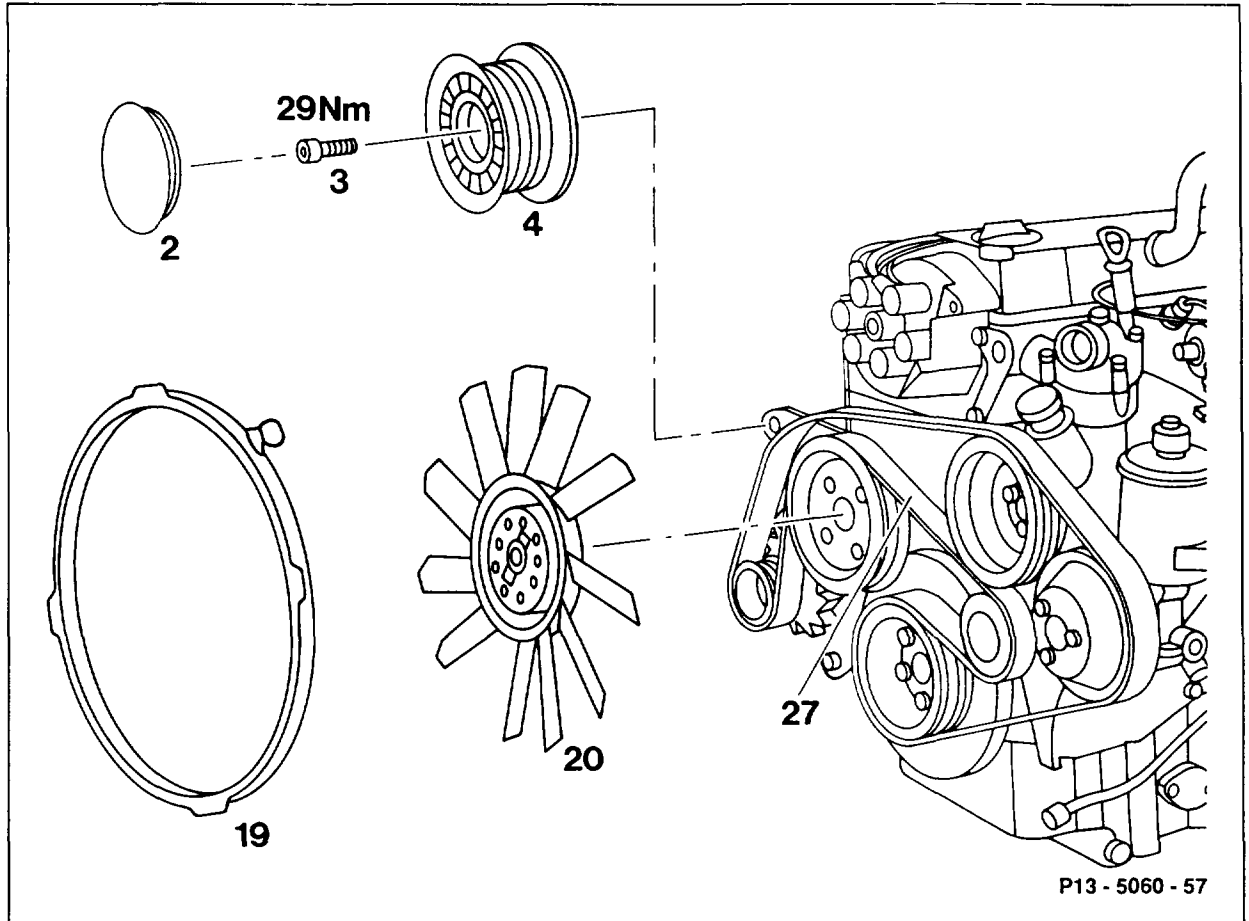


## 13-3460 Removing and installing guide pulley

Preceding work:

Models 124, 201: Viscous fan clutch removed (20-3120).

Model 129: Fan shroud ring removed (20-3400).



Poly-V-belt (27) .....	slacken, tension (13-3420).
Poly-V-belt (27) .....	remove from guide pulley (4), fit on.
Cover (2) .....	pull off, fit on.
Screw (3) .....	unscrew, screw on (29 Nm).
Guide pulley (4) .....	remove from fan bearing bracket, fit on.

**Special tool**

