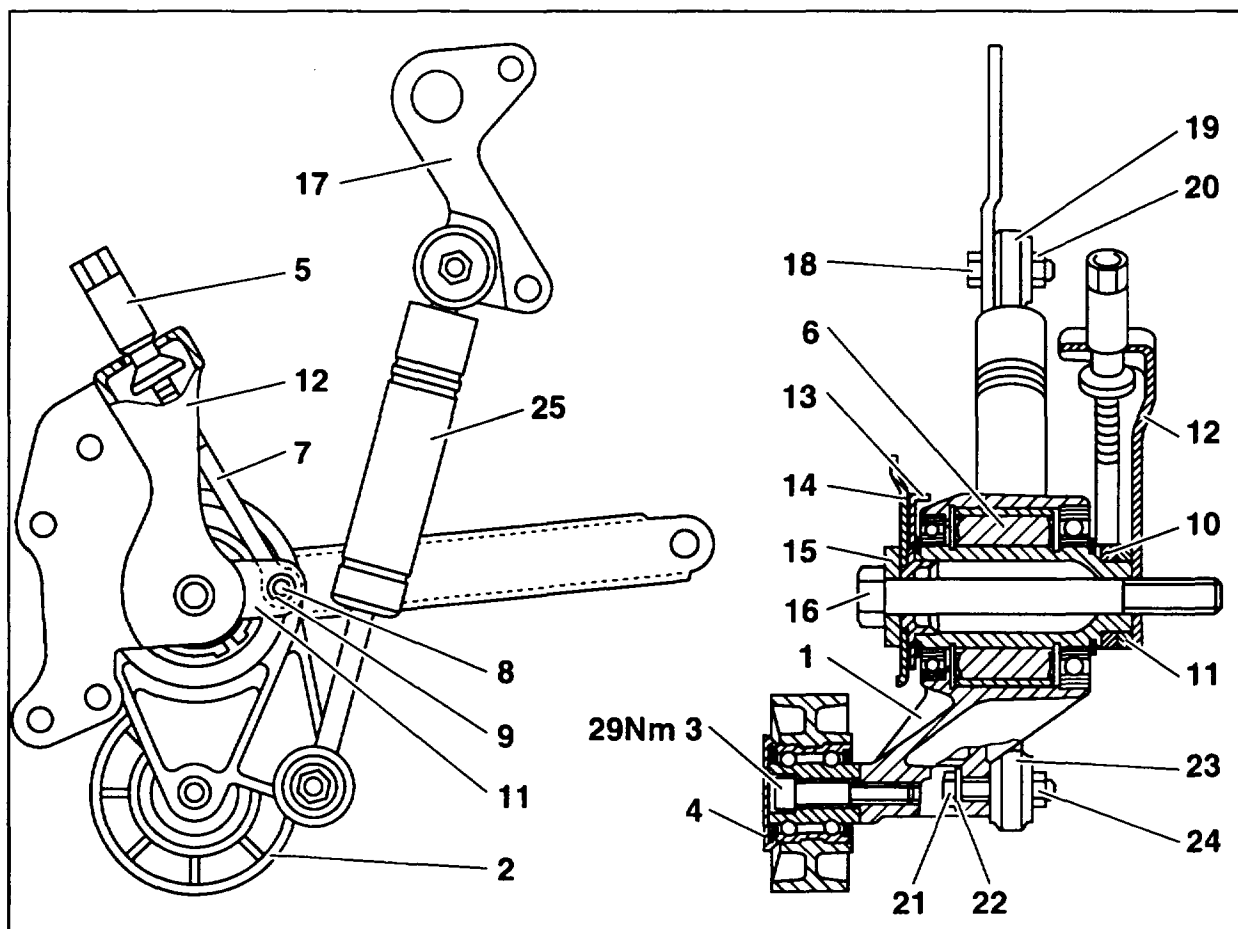


## 13-3455 Retrofitting shock absorber to tensioning device

Preceding work:  
Tensioning device removed (13-3450).



P13-5129-57

- |                      |                          |
|----------------------|--------------------------|
| 1 Belt tensioner     | 14 Bracket with strut    |
| 2 Tensioning pulley  | 15 Washer                |
| 3 M8 × 40 bolt       | 16 M12 × 120 bolt        |
| 4 Cover              | 17 Bracket               |
| 5 Tensioning nut     | 18 M8 × 30 bolt          |
| 6 Tensioning element | 19 Washer                |
| 7 Tensioning rod     | 20 M8 nut                |
| 8 Bolt               | 21 M7 × 35 bolt + washer |
| 9 Locking element    | 22 Washer                |
| 10 Spacer ring       | 23 Washer                |
| 11 Driver            | 24 M7 nut                |
| 12 Rear bracket      | 25 Shock absorber        |
| 13 Setting pointer   |                          |

Tensioning pulley (2) .....	bolt to new tensioning device (1) (25 Nm) with retaining eye for shock absorber (25)
Shock absorber (25) .....	bolt to tensioning device (1)
Bracket (17) .....	bolt to cylinder head (25 Nm)
Tensioning device .....	install (13-3450)