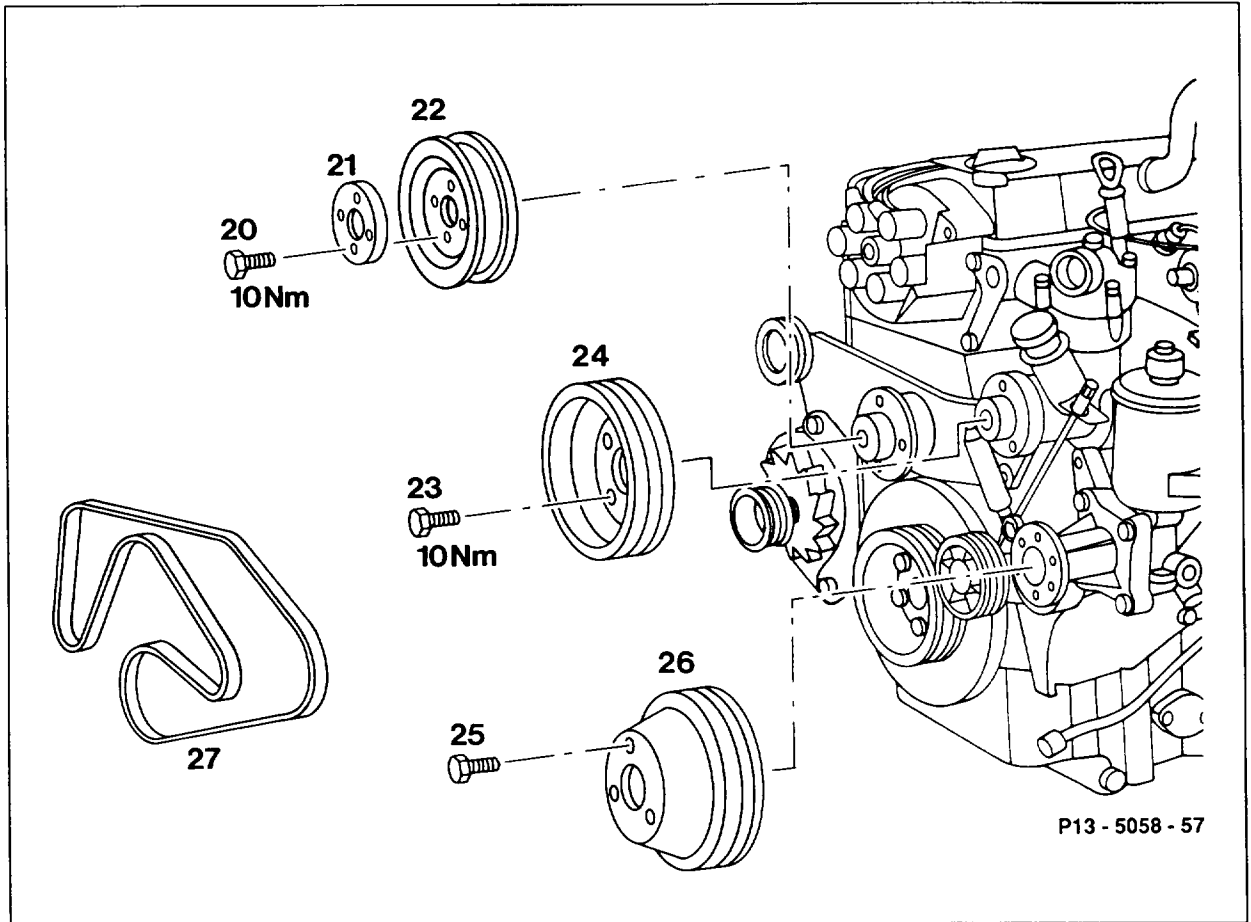


## 13-3450 Removing and installing tensioning device

Preceding work:  
 Fan shroud removed (20-3400).  
 Viscous fan clutch removed (20-3120).  
 Intake air guide removed.

Operation no. of operation texts and work units or standard texts  
 and flat rates  
 13-1202 - 13-4001



Bolts (20), (23) and (25) of belt pulleys viscous fan clutch (22), coolant pump (24) power steering pump (26) .....

slacken before removing poly-V-belt, tighten.

**Installation note**

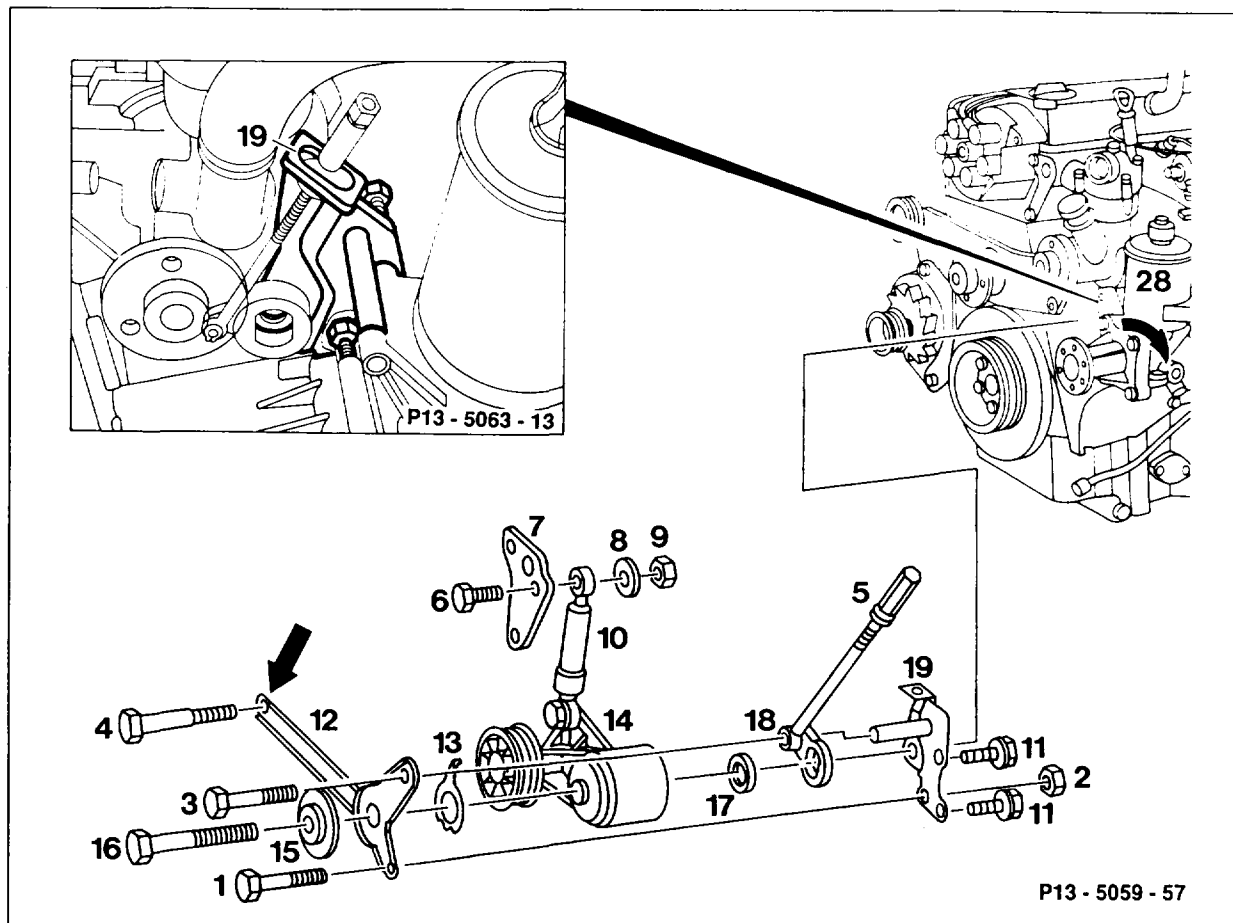
Torque of power steering pump bolt (25) see (46-710).

Poly-V-belt (27) .....

remove, install (13-3420).

Belt pulleys of viscous fan clutch (22), coolant pump (24) power steering pump (26) .....

remove, install.



- 1 M8 × 90 hexagon bolt
- 2 M8 nut
- 3 M8 × 100 hexagon bolt
- 4 M8 × 65 fit collar bolt
- 11 M8 × 45 bolt + washer

Damper (10) of tensioning device at bracket (7) . . . unscrew, screw on (21 Nm).  
 Bolt (16) . . . . . unscrew, screw on (75 Nm).  
 Bolts (1), (3) and (4) . . . . . unscrew, screw on (21 Nm).

**Note**  
 Counter-hold at nut (2) with wrench.

Strut (12) . . . . . remove, install.

**Installation note**  
 Apply sealant 001 989 29 20 at hole (arrow) of strut (12) at front and rear.

Bolt (16), washer (15), setting pointer (13),  
 tensioning device (14) and sleeve (17) . . . . . remove, install.

Bolts (11) . . . . . unscrew, screw on (21 Nm).

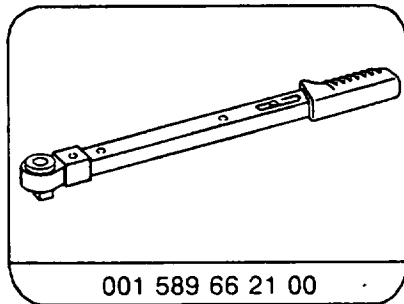
Power steering pump (28) . . . . . swivel outward.

Bracket (19) with tensioning nut (5) and  
 tensioning bolt (18) ..... remove, install.  
 Tensioning device (14) ..... check (13-3452).

**Tightening torques in Nm**

Bolts of belt pulleys of fan clutch in coolant pump	10
Bolt of tensioning device	75
Bolts of strut and bracket	25

**Special tool**



**Note**

**Modification to bracket of poly-V-belt tensioner**

The supporting tube (a), previously welded to the bracket, is now fitted loose.  
 Indefinite production breakpoint as of February 1990.

