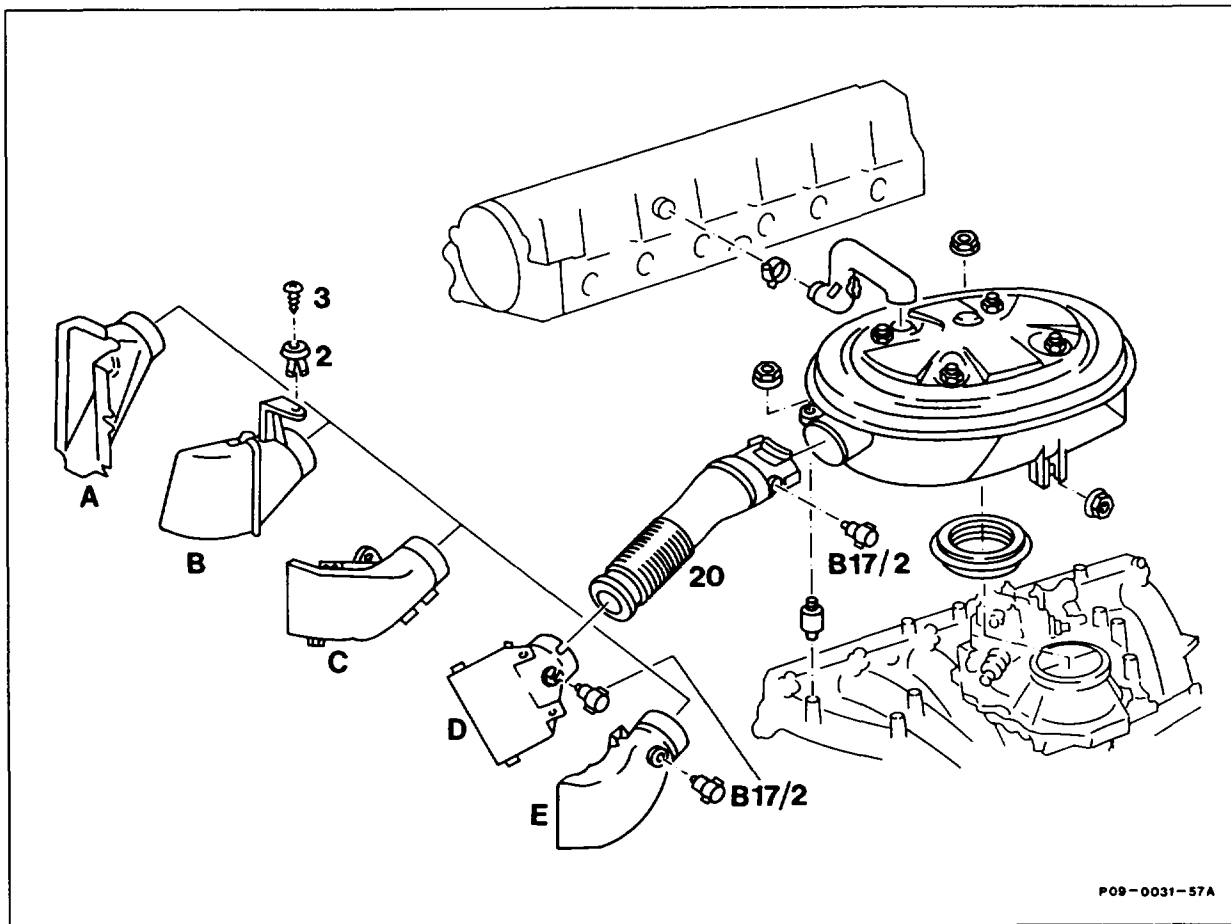


09-8091 Replacing intake air cowl

Preceding work:
Removing and installing, replacing air cleaner (09-1051).

Operation no. of operation texts and work units or standard texts
and flat rates:
09-8091.



A Model 107
B Model 124
C Model 126

D Model 129
E Model 201

Air intake hose (20)	pull off air intake cowl, fit on.
Screw (3)	unscrew, screw in. Press out expanding clip (2), insert).

Installation note

Intake air cowl (A, B, C, D or E)	Replace expanding clip. remove, insert.
-----------------------------------------	--------------------------------------------

Models 129.060, 201.029

KE intake air temperature sensor (B17/2)	remove from intake air cowl, fit on.
------------------------------------------------	--------------------------------------