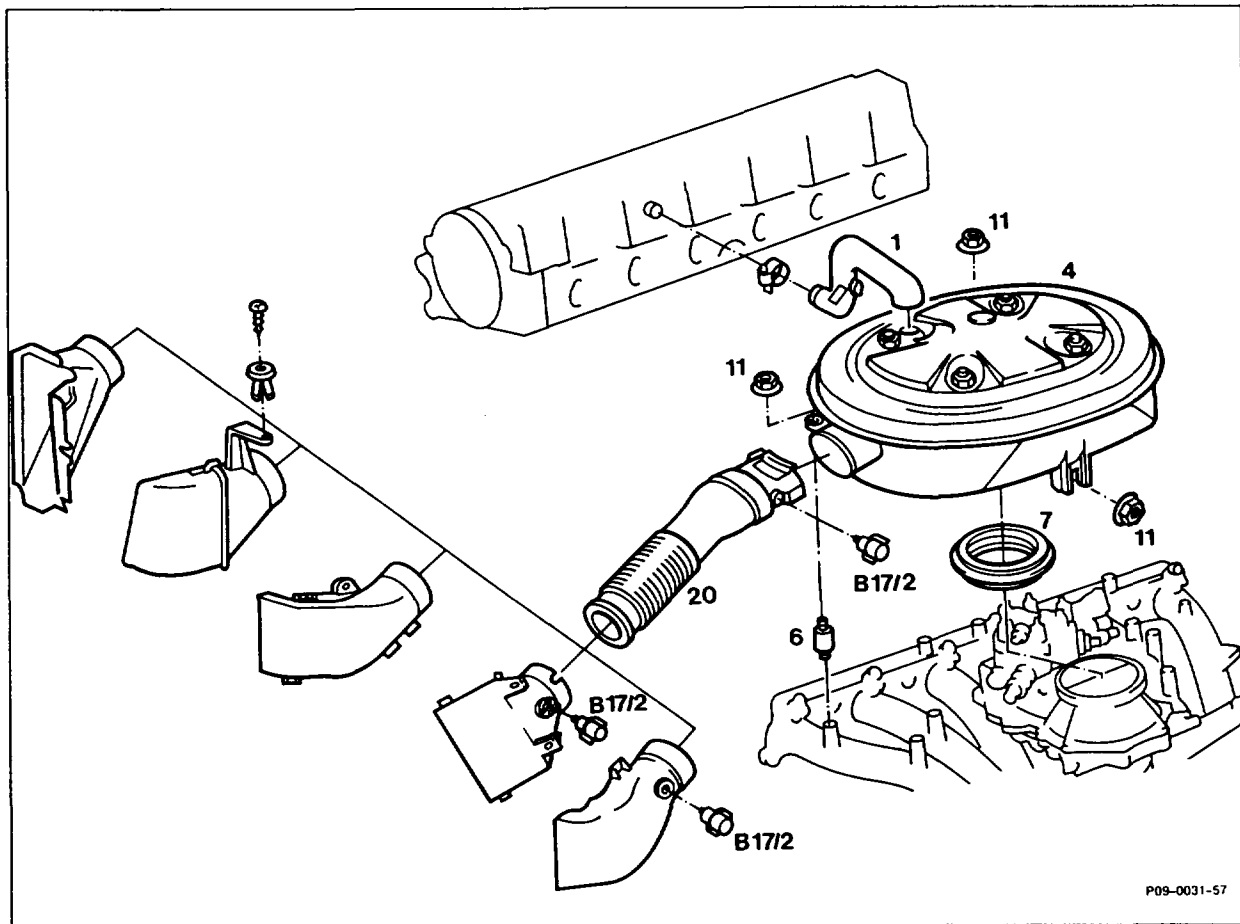


09-1051 Removing and installing, replacing air cleaner

Operation no. of operation texts and work units or standard texts and flat rates:
09-1051.



- | | |
|--|--|
| KE intake air temperature sensor (B17/2) | remove, install (only models 107, 124, 126).
Pay attention to note for model 124.090. |
| Nuts (11) | unscrew at bonded metal stops (6) and holder
at mixture control unit, screw on.
If necessary, replace bonded metal stop (6)
according to condition. |
| Shaped hose (1) | for crankcase ventilation, detach, attach. If
necessary, replace shaped hose according to
condition. |
| Air intake hose (20) | at air cleaner (4), pull off, fit on. |

Air cleaner (4) take off, fit on.

Installation note

When installing, ensure seal (7) is correctly seated between air flow sensor and air cleaner.

Note

A recess is provided in the top part of the air cleaner for setting the idle air mixture.

Model 124.090 KAT/RÜF

From start of production 12/85 up to mid 02/86 no KE intake air temperature sensor (B17/2) was installed.

Production breakpoint: 02/86 indefinite

Model	As of vehicle ident end no.
124.090	1F 004948

On vehicles with lower vehicle ident end no. the intake air temperature sensor (B17/2) **must be retrofitted.**

The cable harness for the electrical connection is provided in these vehicles. The connection cable is integrated in the engine wiring harness. To untie, take off air cleaner.

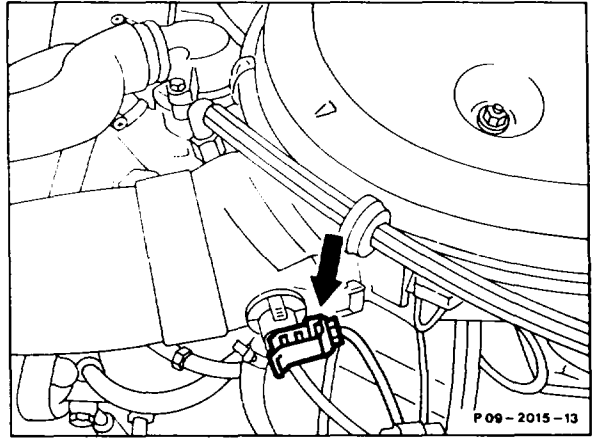
Part

Designation	Part no.
KE intake air temperature sensor	007 542 21 17

Available from: Plant 50 (PEW Sindelfingen)

Location of KE intake air temperature sensor
(B17/2, arrow)

Models 107, 124, 126
in intermediate piece of air cleaner bottom part



Models 129.060, 201.029
in intake air cowl

