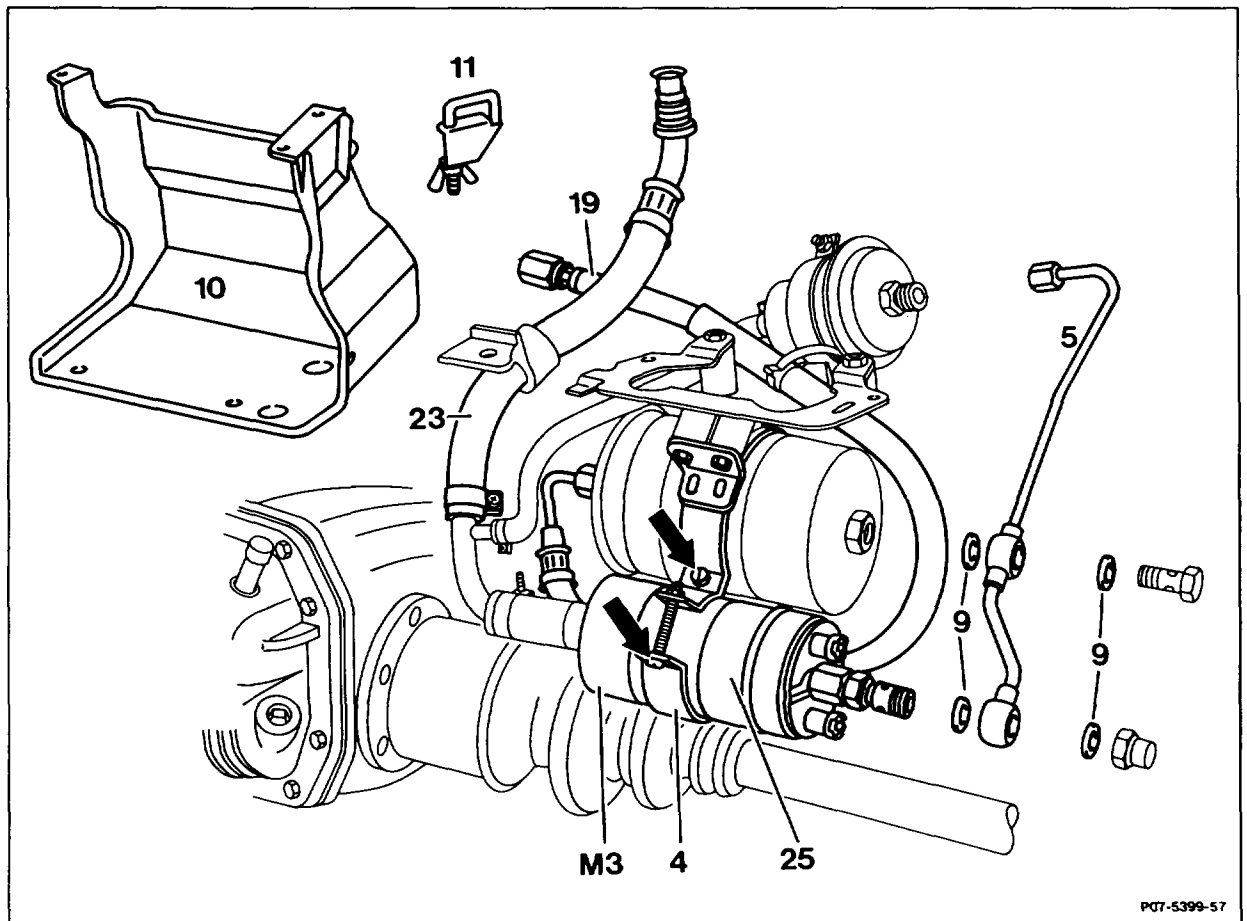


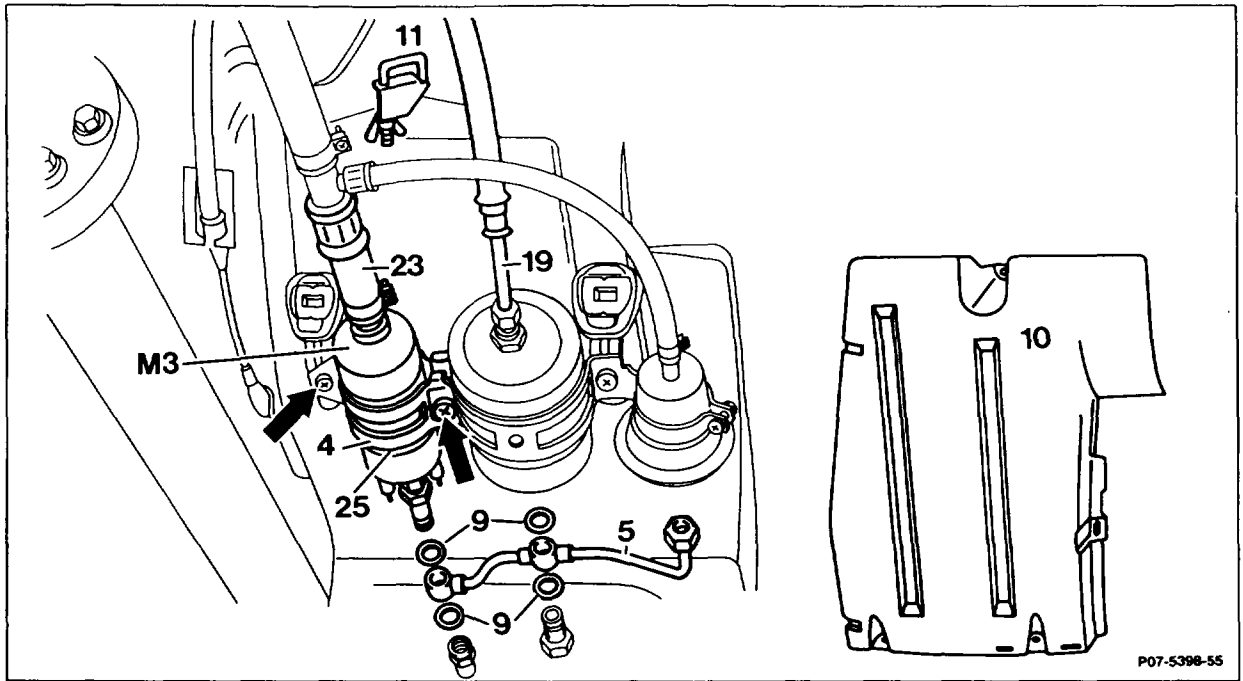
07.3-5710 Removing and installing fuel pump

Operation no. of operation texts and work units or standard texts and flat rates:
07-5710.

A. Fuel pump set with one fuel pump



Models 107, 126



Model 124

Pressure in fuel tank	release by opening cap, close.
Ground cable at battery	disconnect, connect.
Protective box (10)	unscrew, screw on.
Fuel suction hose and fuel pressure hose (23, 19)	pinch off with clamp (11). Special tool 000 589 40 37 00. For model 124.090 pay attention to note.
Fuel line (5)	at fuel accumulator, fuel pump and fuel filter, unscrew, screw on.
Fuel suction hose (23)	slacken, pull off, fit on.
Electric cables	disconnect, connect.
Securing screws (arrows)	at holder (4) slacken, tighten.
Fuel pump (M3)	remove, insert.

Plastic sleeve (25) install.

Note

When exchanging the fuel filter, it is essential to ensure that the plastic sleeve (25) is installed between fuel filter and holder (4). It must project on both sides of the holder as direct contact of the fuel filter with the holder can cause contact corrosion.

The fuel pump is actuated by the fuel pump relay (07.3-5792).

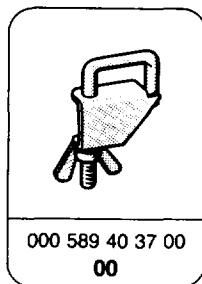
Seals (9) replace.

Leaktightness of all connection points check with engine running.

replace.

check with engine running.

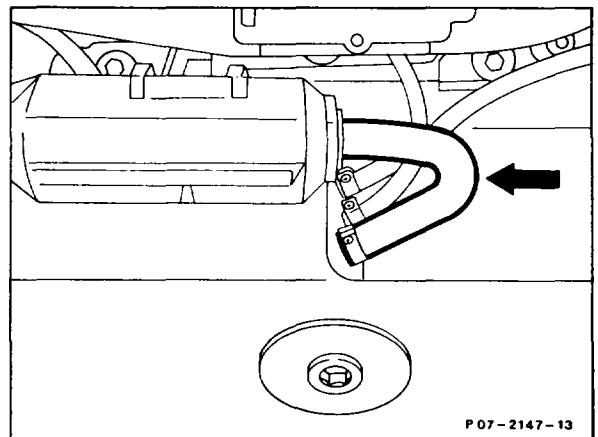
Special tool



Note

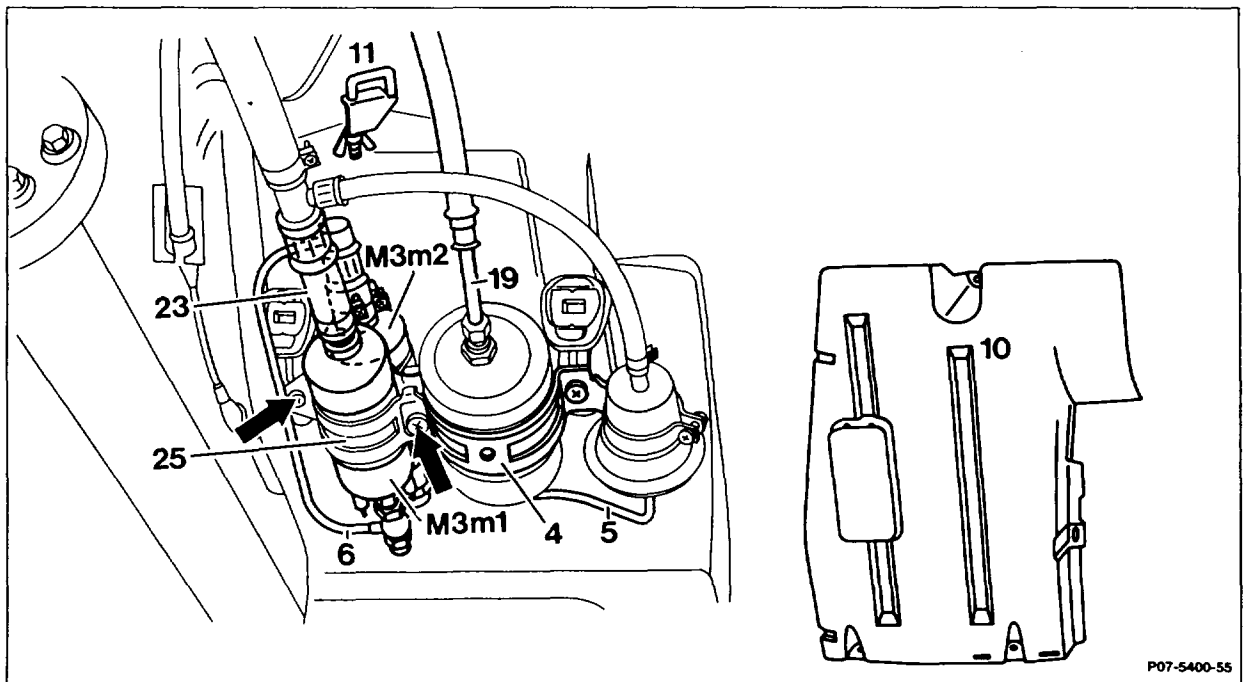
Engine 103.983, model 124.090

Do not pinch off fuel suction hose at elbow (arrow).



B. Fuel pump set with two fuel pumps

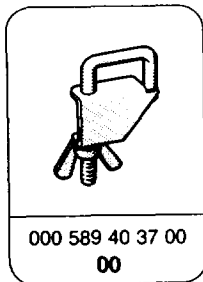
a) Model 124



Pressure in fuel tank	release by opening cap, closing.
Ground cable at battery	disconnect, connect.
Protective box (19)	unscrew, screw on.
Fuel suction hose and fuel pressure hose (19, 23)	pinch off with clamp (11). Special tool 000 589 40 37 00.
Fuel pump 1 (M3m1)	remove, install.
Fuel line (6) to fuel pump 2 (M3m2)	unscrew, screw on.
Electric cables	Note Replace copper seal.
Hose clip and fuel suction line	disconnect, connect.
Securing screws (arrows)	slacken and pull off fuel line (6). slacken and take out fuel pump.

Fuel pump 2 (M3m2)	remove, install.
Fuel line (5)	between fuel pump, fuel filter and fuel accumulator, remove, install.
Electric cables	disconnect, connect.
Securing screws (arrows)	at holder (4) slacken and take out fuel pump, press fuel hose off fuel pump 1 (M3m1) when performing this step.
Plastic sleeve (25)	install.
Note	
When exchanging the fuel filter, it is essential to ensure that the plastic sleeve (25) is installed between fuel filters (M3m1 and M3m2) and holder (4). It must project on both sides of the holder as direct contact of the fuel filter with the holder can cause contact corrosion.	
Leaktightness	check with engine running.

Special tool

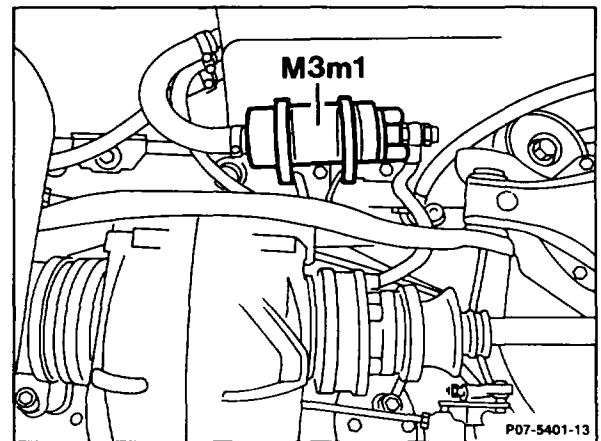
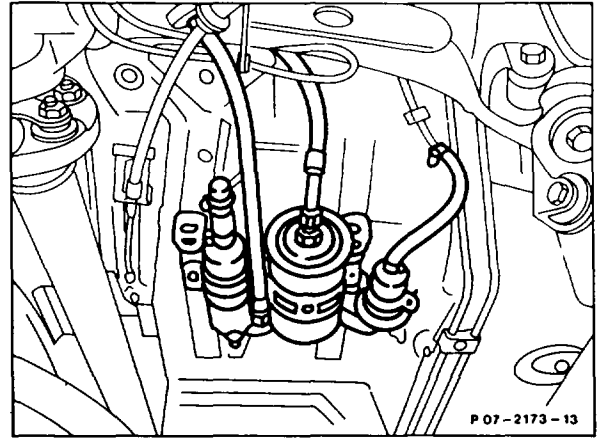


L

Fuel pump set
Model 124.090, engine 103.983

Two fuel pumps are arranged in series on this model.

To achieve short suction distances, a fuel pump is suspended on rubber rings between rear axle and fuel tank. The second fuel pump is installed in the fuel pump set.

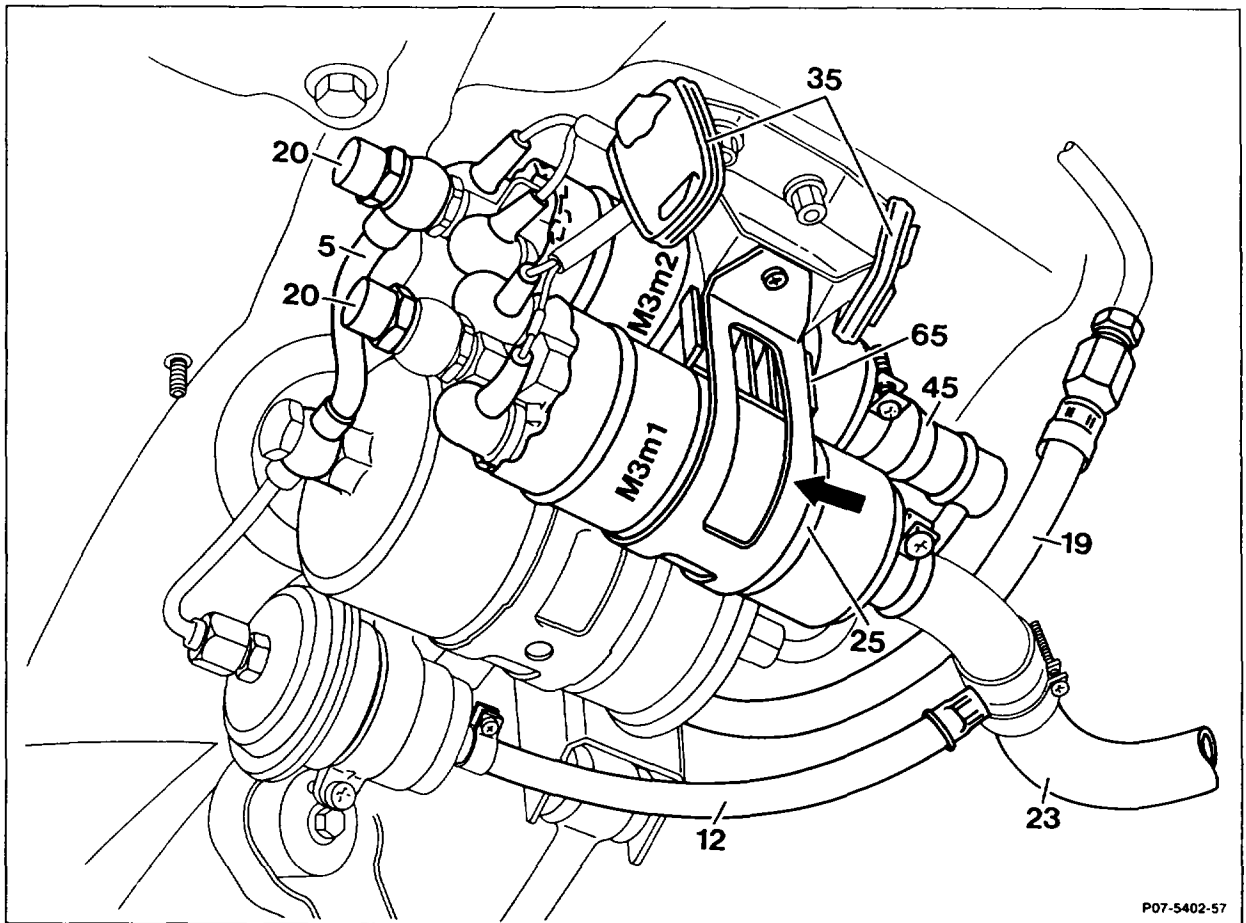


Note

Model 124 Sedan and Coupé

Fuel suction hose from fuel tank to fuel pump converted to shaped hose in order to avoid kinking (as of vehicle ident end no. B 097367).

b) Model 129



P07-5402-57

Removing and installing fuel pump 1 (M3m1)

Pressure in fuel tank	release by opening cap, close.
Ground cable at battery	disconnect, connect.
Protective box	unscrew, screw on.
Fuel suction hose and fuel pressure hose (19, 23)	pinch off with clamp. Special tool 000 589 40 37 00.
Fuel hose (23)	disconnect, connect.
Union nut (20)	unscrew, screw on. Replace seals.
Electrical connections	disconnect at fuel pump (M3m1), connect.
Tensioning strap (arrow)	open, close.

Fuel pump 1 (M3m1) remove, insert. If necessary, replace plastic sleeve (25).

Note

When exchanging the fuel filter, it is essential to ensure that the plastic sleeve (25) is installed between fuel filters and holder (2). It must project on both sides of the holder as direct contact of the fuel filter with the holder can cause contact corrosion.

Leaktightness of all connection points check with engine running.

Removing and installing fuel pump 2 (M3m2)

Fuel pump 1 (M3m1) must be removed beforehand in order to remove fuel pump 2 (M3m2).

Pressure in fuel tank release by opening cap, close.

Ground cable at battery disconnect, connect.

Protective box unscrew, screw on.

Fuel pump set lower on fuel pump side by detaching the two rubber rings (35).

Union nut unscrew, screw on. Replace seals.

Electrical connections disconnect at fuel pump (M3m2), connect.

Spacer adapter (65) remove, install.

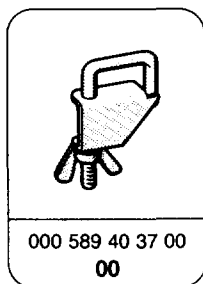
Fuel pump M3m2 remove, insert. Replace plastic sleeve (25) if necessary.

Note

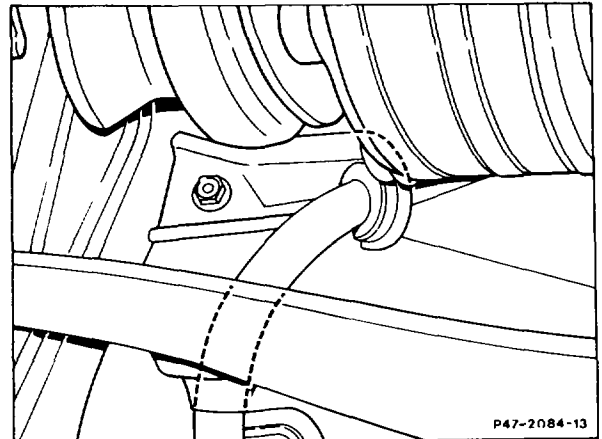
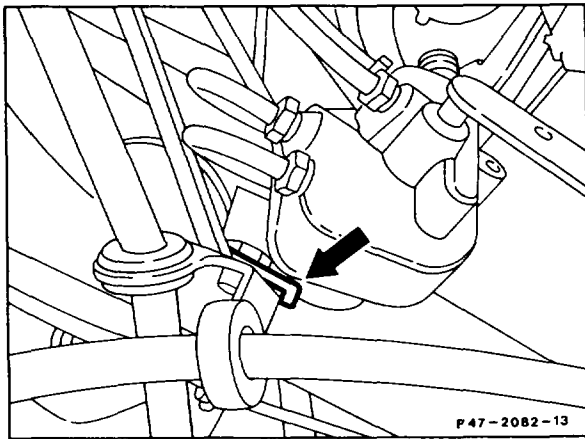
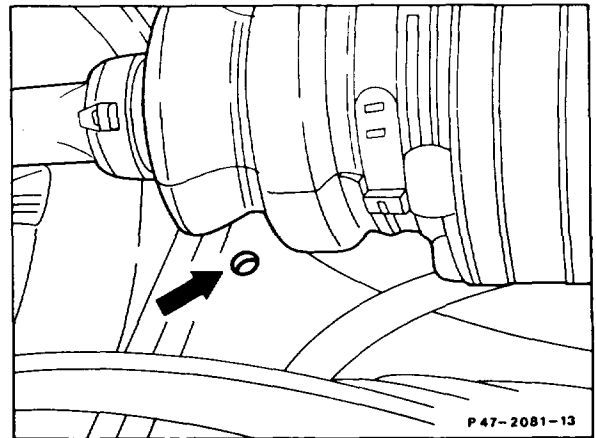
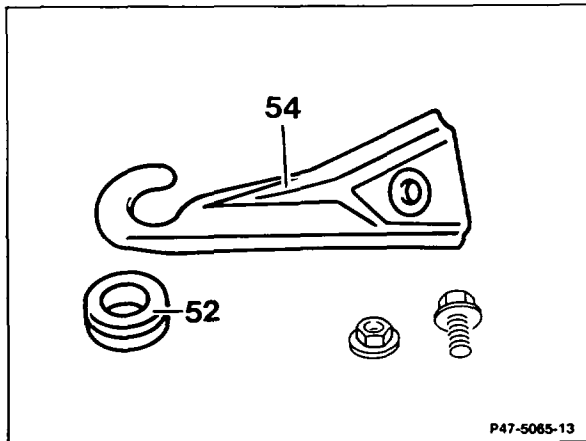
When exchanging the fuel filter, it is essential to ensure that the plastic sleeve (25) is installed between fuel filters and holder (2). It must project on both sides of the holder as direct contact of the fuel filter with the holder can cause contact corrosion.

Leaktightness of all connection points check with engine running.

Special tool



C. Retrofitting bracket for fuel hose in rear axle area (model 124.090)



Note

On these vehicles an additional holder for the fuel pressure hose must be attached to the cross beam of the rear axle carrier. This ensures that the fuel pressure hose is held at the correct distance to the inner ring joint of the right rear axle shaft.

- | | |
|--|---|
| Ground cable at battery | disconnect, connect. |
| Protective box for pump set | detach, attach. |
| Fuel pressure hose in front of protective box for pump set | pinch off with clamp.
Special tool 000 589 40 37 00. |
| Fuel pressure hose | disconnect at fuel pump, connect. |

Fuel pressure hose	pull through the cross beam of rear axle carrier. If necessary, replace fuel pressure hose. To do this, take off protective box at pump set.
Rubber grommet (52)	push onto fuel pressure hose.
Holder at existing hole of cross beam of rear axle carrier (arrow)	attach.
Fuel pressure hose	pull through rear axle carrier and install with new gaskets at fuel pump.
Clearance between fuel pressure hose and ring joint (approx. 30 mm)	check. If necessary, bend holder (54) up.
On vehicles with ABS	check that holder is correctly installed. The locating lugs (arrow) must not be resting on the counter-holder.
Fuel pressure hose with rubber grommet	attach to holder.
Leaktightness of all connection points	check with engine running.

Vehicles affected

Model	Up to vehicle ident end no.
124.090	F 011 879

Parts

Designation	Part no.
Fuel pressure hose	124 470 19 75
Holder	124 471 03 41
Nut	913017 00600
Bolt	914126 006005
Rubber grommet	116 997 29 81

Notes**Models 107, 124, 126**

Installation of fuel pumps with shaped track.

Identification: Bosch production date as of 642.

Production breakpoint: a) fuel pump 002 091 88 01 (EKP 6) February 1986

Model	Engine	Vehicle ident end no.
126.020	103.941	A 239728
126.024/025	103.981	A 239725

Production breakpoint: b) fuel pumps 002 091 97 01 (EKP 4) March 1986

Model	Engine	Vehicle ident end no.
107.041	103.982	A 046830
124.026	103.940	A 214628
124.030	103.983	A 214834
124.090	103.983	F 002929

Models 124, 201

Installation of second fuel pump.

Prevents formation of vapour bubbles.

Production breakpoint: September 1986

Model	Engine	Vehicle ident end no.
201.029	103.942	A 326940

Production breakpoint: November 1986

Model	Engine	Vehicle ident end no.
124.026	103.940	A 368937
124.030	103.983	A 368937

