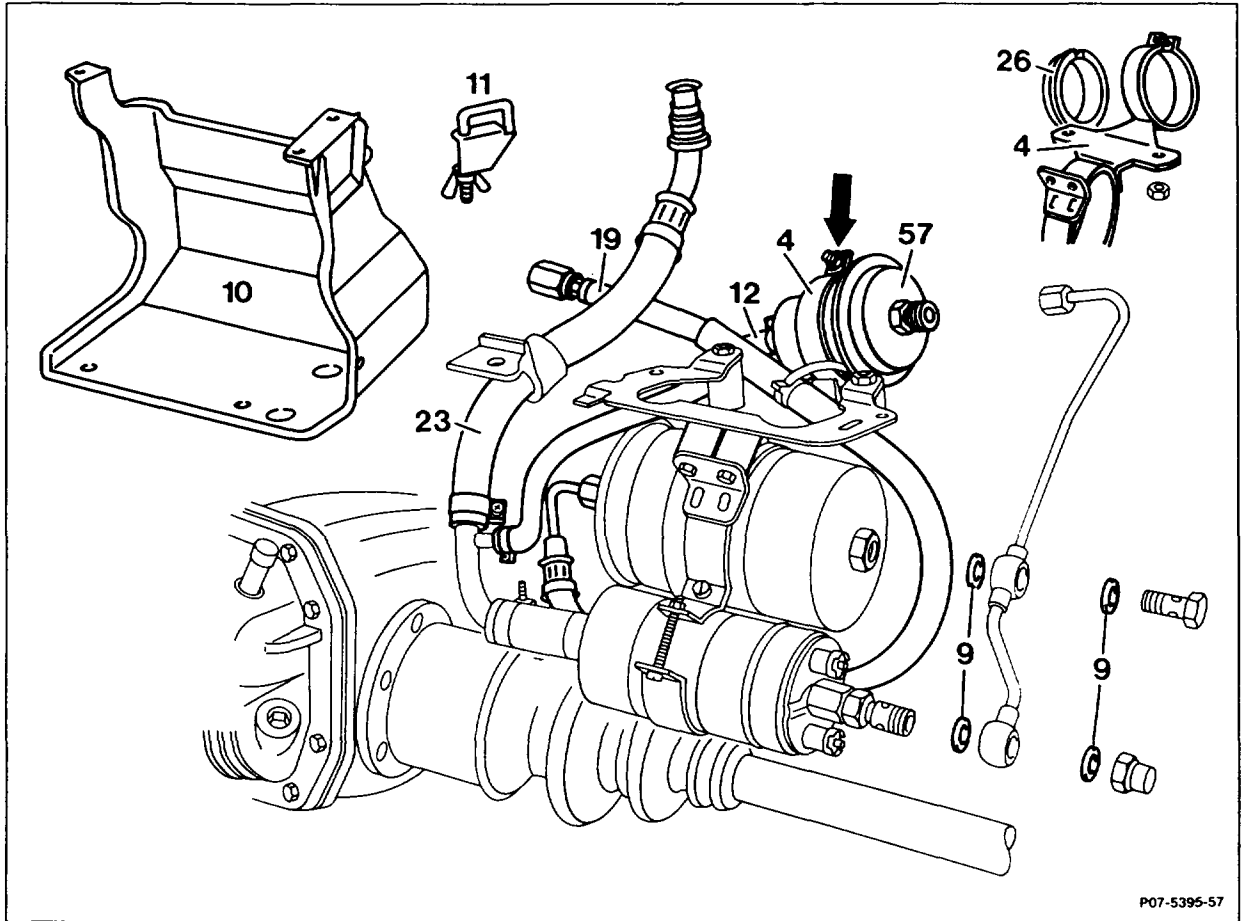
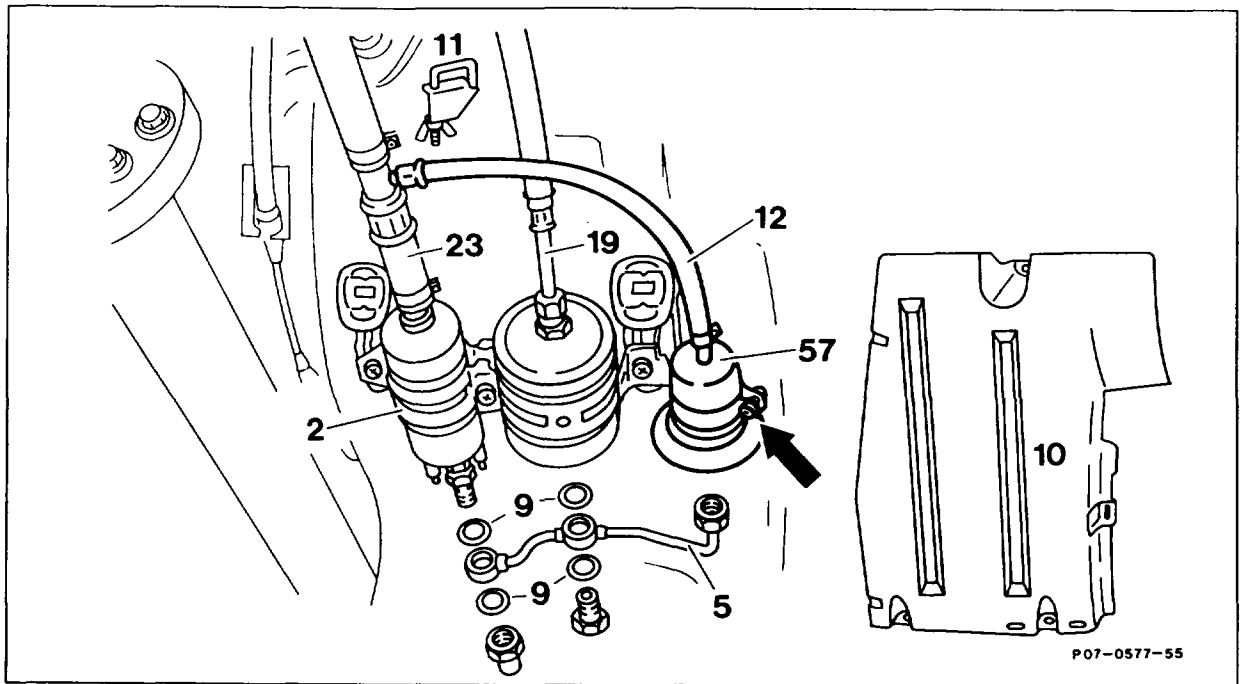


07.3-1683 Removing and installing fuel accumulator

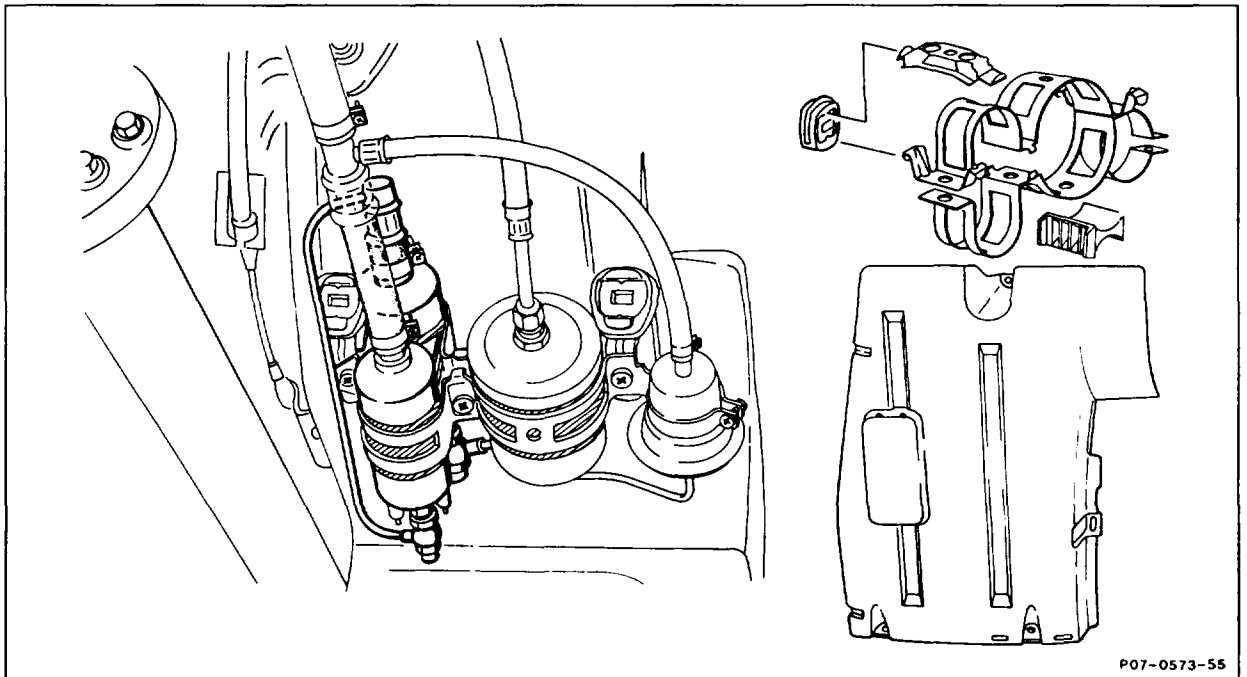
Operation no. of operation texts and work units or standard texts
and flat rates:
07-1683.



Models 107, 126: fuel pump set with one fuel pump



Model 124: fuel pump set with one fuel pump



Models 124, 129: fuel pump set with two fuel pumps

Pressure in fuel tank	release by opening cap, close.
Ground cable at battery	disconnect, connect.
Protective box (10)	unscrew, screw on.
Fuel suction hose and fuel pressure hose (23, 19)	pinch off with clamp (11). Special tool 000 589 40 37 00. For model 124.090 pay attention to note (07.3-5710).
Fuel line (5)	at fuel accumulator, fuel pump and fuel filter, unscrew, screw on.
Leak hose (12)	slacken and pull off, fit on.
Securing bolt (arrow)	at holder (4) loosen, tighten; remove fuel accumulator (57), insert. On models 107 and 126 pay attention to spacer ring (26) in holder (4).
Seals (9)	replace.
Leaktightness of all connection points	check with engine running.

Special tool

