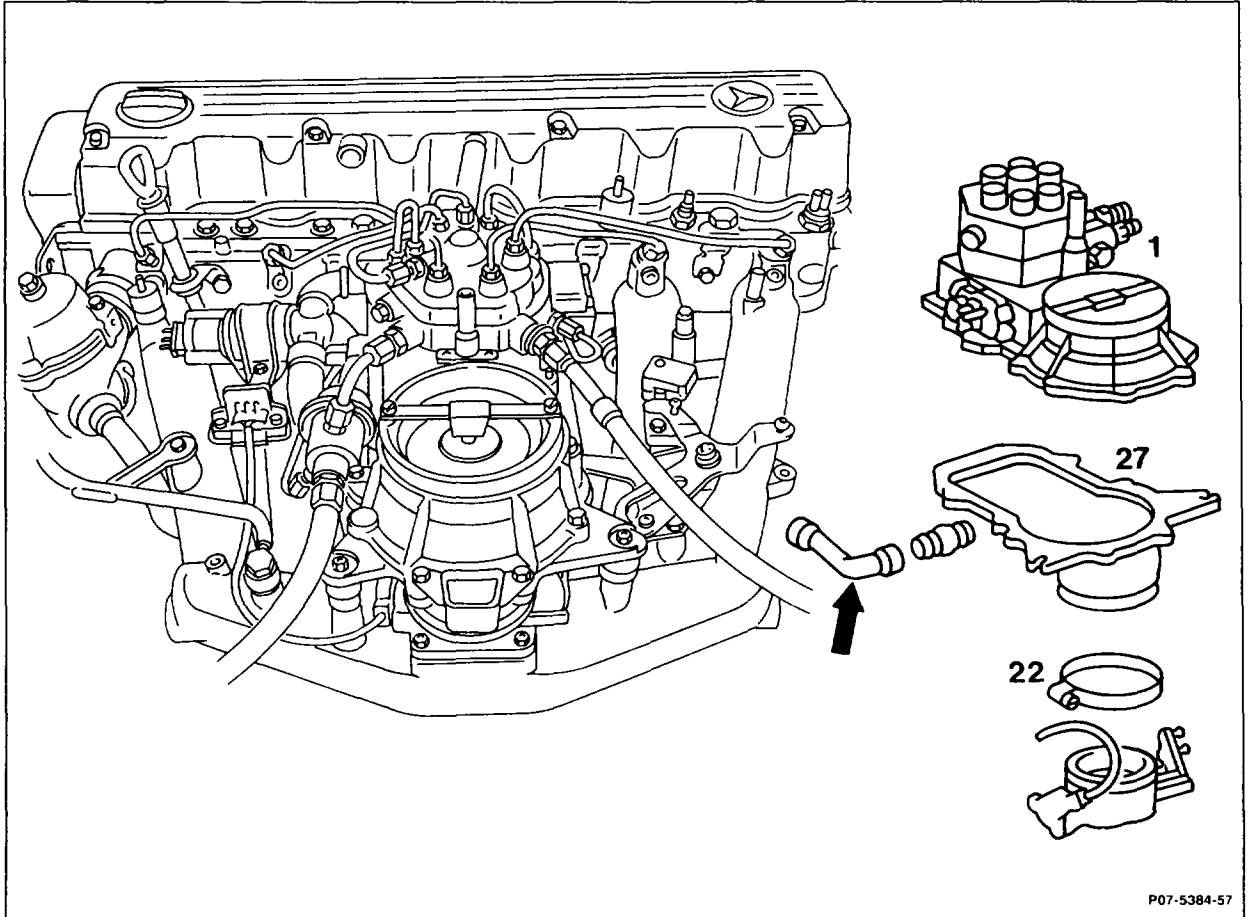


## 07.3-1668 Removing and installing mixture control unit with air guide housing

Operation no. of operation texts and work units or standard texts and flat rates:  
07-1668.



P07-5384-57

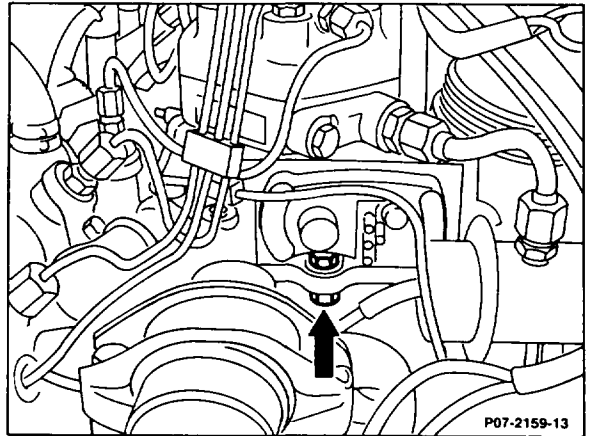
Fuel and injection lines .....	unscrew, screw on. Tightening torque 10-15 Nm as reference value.
Electric wiring .....	disconnect, connect.
Diaphragm pressure regulator .....	unscrew, screw on.
Securing nuts at rubber stop .....	unscrew, screw on. Tightening torque 9-10 Nm as reference value.
Hose clip (22) .....	slacken, tighten.

Mixture control unit (1) . . . . .	raise with air guide housing (27); detach idle air hose (arrow) when doing this.
Engine . . . . .	run and check all fuel connections for leaks.
Idle speed . . . . .	adjust (07.3-2053).

**Note**

Bolts of various lengths are used for attaching the air guide housing to the air flow sensor. For this reason, it is essential when installing to ensure that the bolt removed below the air flow sensor position indicator (arrow) is also re-inserted at that point.

If a longer bolt is used, the air flow sensor position indicator will be damaged.



When detaching the fuel line (50) from the fuel distributor to the diaphragm pressure regulator, ensure that the open-end wrench does not press onto the air flow sensor position indicator and damage it.

