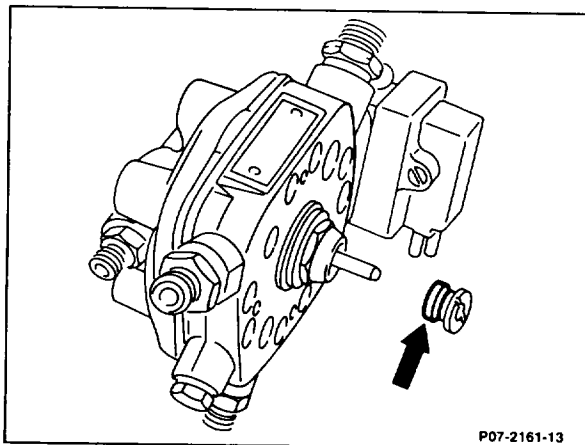
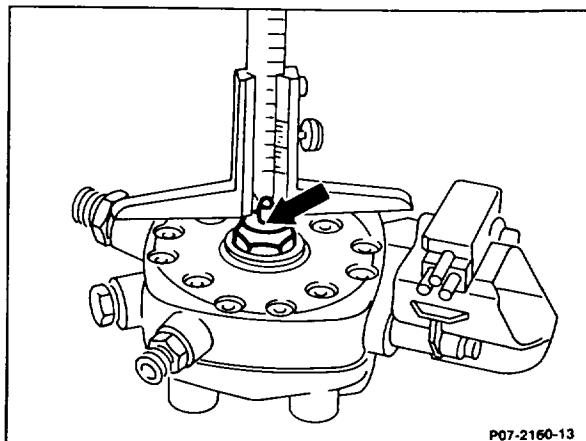


07.3-1660 Replacing seal for control plunger

Preceding work:
Replacing fuel distributor (07.3-1674).

Operation no. of operation texts and work units or standard texts
and flat rates:
07-1660.



| | |
|--------------------------------------|--|
| Position (arrow) of screw plug | measure with depth gauge and note. As a precaution, mark position with marking tool. |
| Screw plug | unscrew with pronged wrench 102 589 00 07 00. |
| Seal (arrow) of screw plug | replace, ensure seal is correctly seated. |
| Screw plug | screw in as far as the measure obtained before removing or as far as marking. |
| | ⚠ Failure to observe this instruction will cause the control plunger to adopt an incorrect basic position. |
| Idle speed | adjust (07.3-2053). |

Special tool

