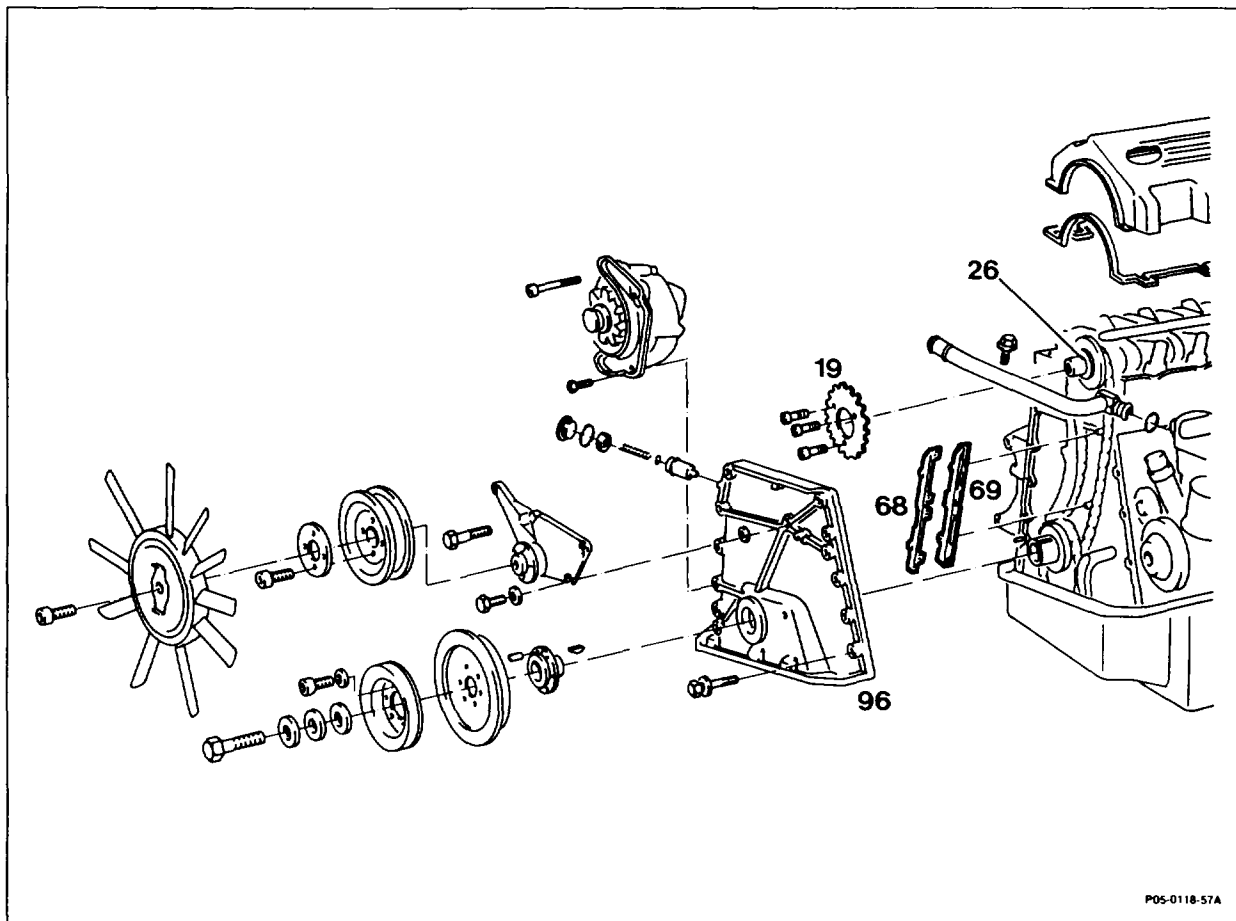


05-3350 Removing and installing guide rail

Preceding work:
Cylinder head cover removed (01-0500).

Operation no. of operation texts and work units or standard texts
and flat rates

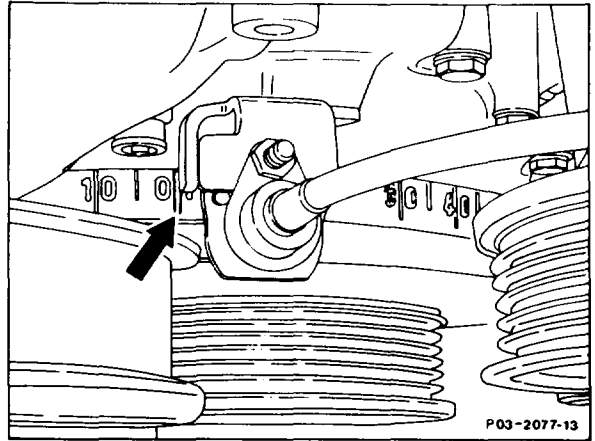


P05-0118-57A

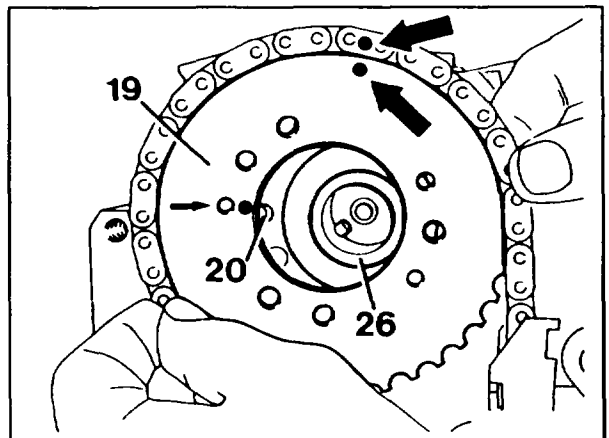
Piston of cylinder 1	set to TDC (step 1).
Timing case cover (96)	remove, install (01-2100)
Camshaft gear (19) relative to camshaft (26)	mark, detach and attach (05-2200)
Guide rail (68, 69)	remove, install (step 5).

Removal, installation

- 1 Position piston of cylinder 1 to TDC (arrow).
- 2 Remove timing case cover (01-2100).



- 3 Mark camshaft sprocket relative to camshaft (arrows).
- 4 Remove camshaft sprocket (05-2200).



20 Locating pin
26 Camshaft

- 5 Unclip retaining lugs in direction of arrow and remove guide rail (68a).

Install in the reverse order.

