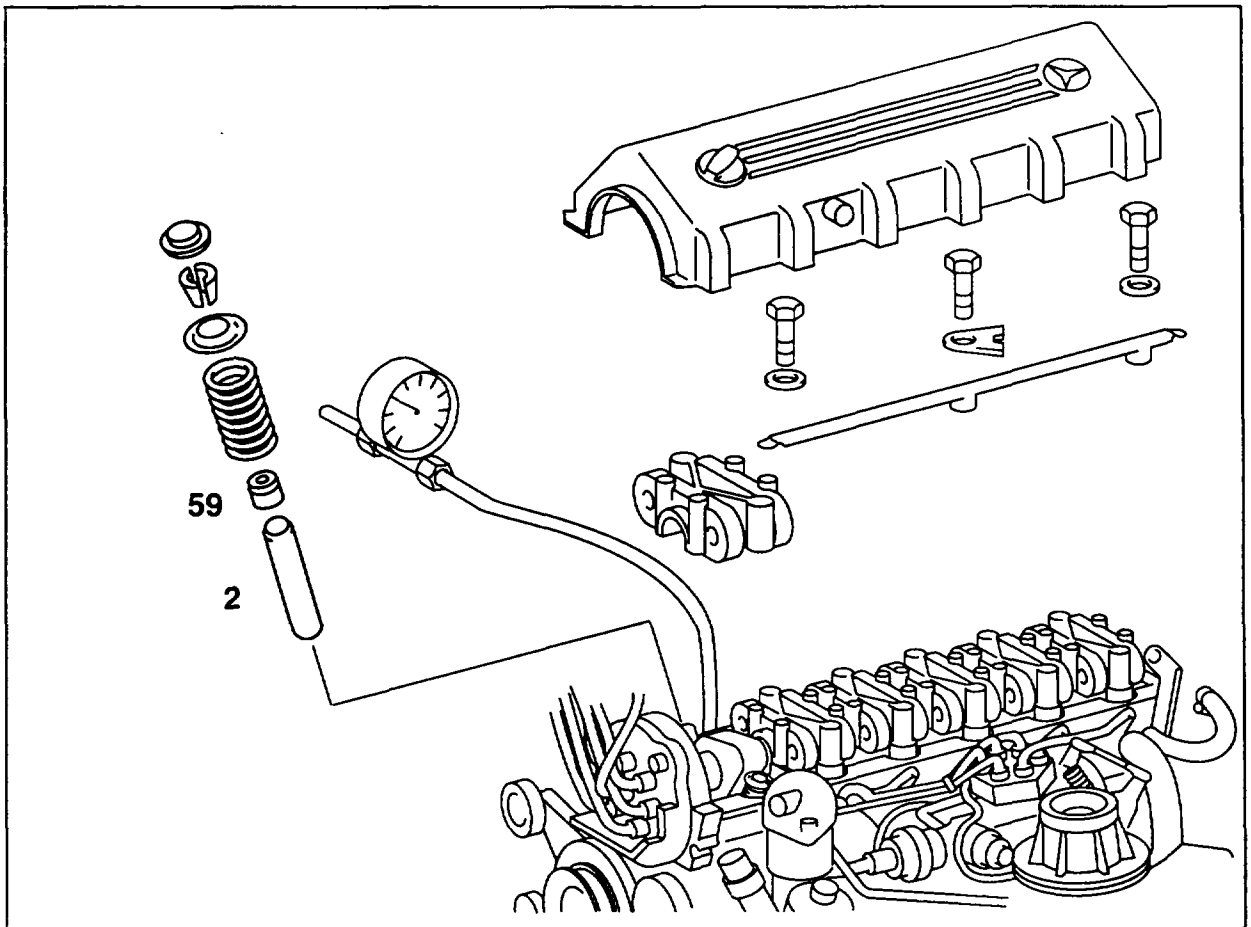


## 05-2700 Replacing valve stem seals

Preceding work:  
Valve spring removed (05-2500).

Operation no. of operation texts and work units or standard texts  
and flat rates  
05-3510



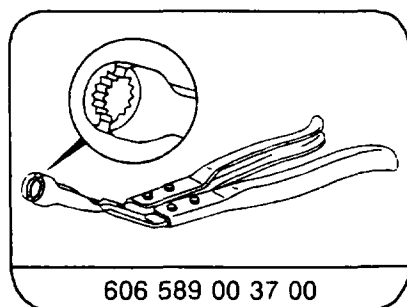
P05-5511-57

Valve stem seals (59) .....	pull off with pliers, special tool 606 589 00 37 00
Surface of valve stems .....	check (visual or finger check). Replace valves with rough stem surface or burrs.
Protective sleeve (2) .....	fit onto valve stem, remove
Valve stem seals (59) .....	oil
Valve stem seals (59) .....	press on by hand



Pay attention to different valve stem seals for  
the inlet and exhaust valves; see "Valve stem  
seal versions"

## Special tool



## Notes

Exhaust and inlet valve stem seals and assembly sleeves are supplied as a repair kit.

The assembly sleeves must be used in order to avoid damage to the valve stem seals.

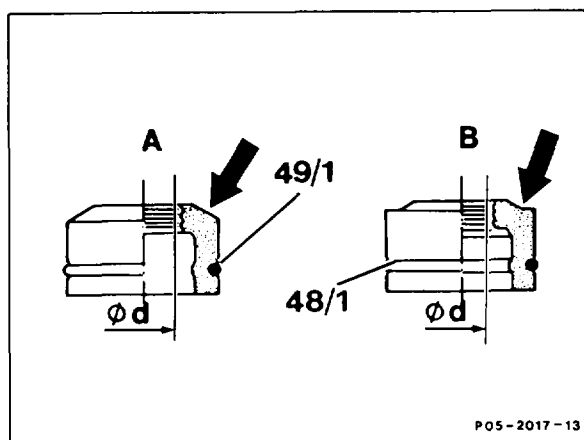
## Valve stem seal versions

### Distinguishing features:



As the sets of seals contain valve stem seals for the inlet and exhaust valves, pay attention to the distinguishing features (see ill.).

- A Exhaust valve stem seal  
d = 8.2 mm  
Arrow = straight chamfer  
49/1 = bright galvanized wire ring (yellow)
- B Inlet valve stem seal  
d = 7.3 mm  
Arrow = chamfer with shoulder  
48/1 = phosphatized wire ring (black)



**Modification to material of inlet valve stem seal**

Valve stem seals manufactured from Viton as of 09/1989 in order to reduce oil consumption.  
Identification: brown colored material.



If increased oil consumption exists, install only valve stem seals made of Viton. The valve stem seals made of Viton can also be fitted to engines manufactured prior to this date.

**Inlet valve stem seals made of Viton, production breakpoint: 09/1988**

Model	Engine 1)	Engine end no.		Vehicle ident end no.	
		manual transmission	automatic transmission	A	F
107.041	103.982	002077	009047	093576	*
124.026	103.940	023610	053472	850581	090604
124.030 124.050 124.090	103.983	026036	134666	848855	088802
124.226	103.943	000313	000720	852771	*
124.230 124.290	103.985	001503	005305	853827	089264
126.020	103.941	003626	012264	436275	*
126.024 126.025	103.981	006129	067114	436792	*
201.029	103.942	011239	015479	456546	461032

\* not recorded

1) Reconditioned engines as of November 1988, as of engine no. 830 569