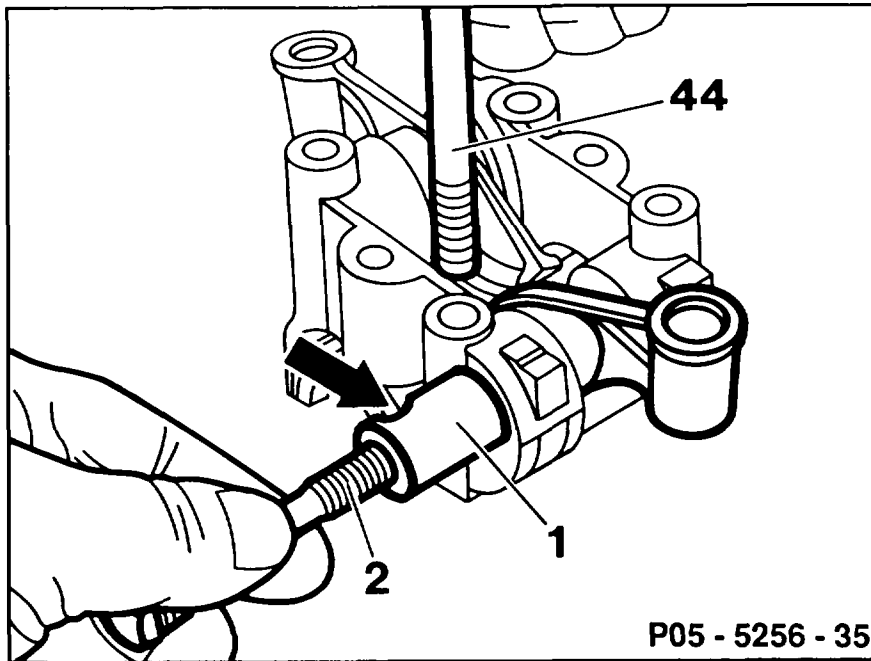


## 05-2320 Removing and installing rocker arms

Preceding work:  
Camshaft bearing caps removed (05-2190).



- |   |   |
|---|---|
| Rocker arm shaft (1) .....                | pull out by hand with M8 bolt (2).                                    |
| Rocker arm shaft (1) .....                | install so that the half-hole (arrow) is aligned with the screw (44). |
| Rocker arms must be installed again ..... | at the same point.  |

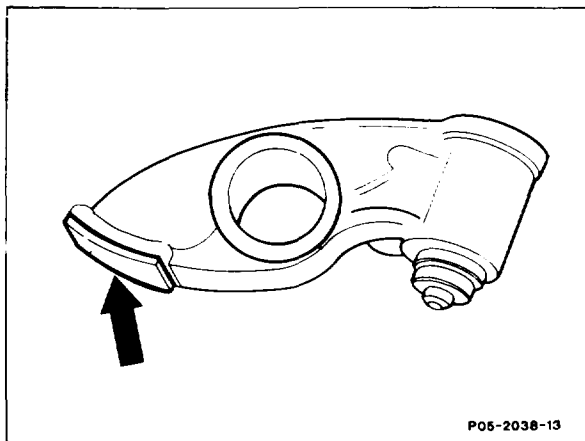
### Data in mm

Hole in rocker arm	16.016 – 16.027
Diameter of rocker arm shaft	15.995 – 16.006
Radial play of rocker arm on rocker arm shaft	0.010 – 0.032
Hole in camshaft bearing cap	16.000 – 16.018
Rocker arm shaft	Hardening depth 0.3 – 0.5
	Scleroscopic hardness 78 – 82

**Note**

Since March 1989 rocker arms with soldered hard metal plates are installed (arrow). These rocker arms must be installed together with the chilled cast iron camshaft, see removing and installing camshaft. See tables for production breakpoint of rocker arms and camshafts.

Oil supply of rocker arm bearings and hydraulic valve clearance compensating elements, see function of oil circuit (18-0050).


**Hard metal friction surface, production breakpoint: 02/89 (Belgium only, camshaft code 56)**

Model	Engine	Engine end no.		Vehicle ident end no.	
		man. transm.	autom. transm.	A	F
124.026	103.940	025248	059428	956150	105650
124.226	103.943	000405	000965	968968	*
126.020	103.941	003792	012871	465578	*
126.024 126.025	103.981	006535	076196	465698	*
201.029	103.942	012727	022389	488735	604004

\* not recorded

**Hard metal friction surface, production breakpoint: 03/1989 (stand. version, camshaft code 49)**

Model	Engine	Engine end no.		Vehicle ident end no.	
		man. transm.	autom. transm.	A	F
107.041	103.982	002246	010089	099861	*
124.026	103.940	025989	062585	968961	108199
124.030 124.050 124.090	103.983	029912	159957	968722	106913
124.226	103.943	000414	000990	973204	*
124.230 124.290	103.985	001941	007322	974532	108634
126.020	103.941	003932	013218	470435	*
126.024 126.025	103.981	006671	079773	465698	*
201.029	103.942	013378	025679	492162	609832

\* not recorded

**Special tool**