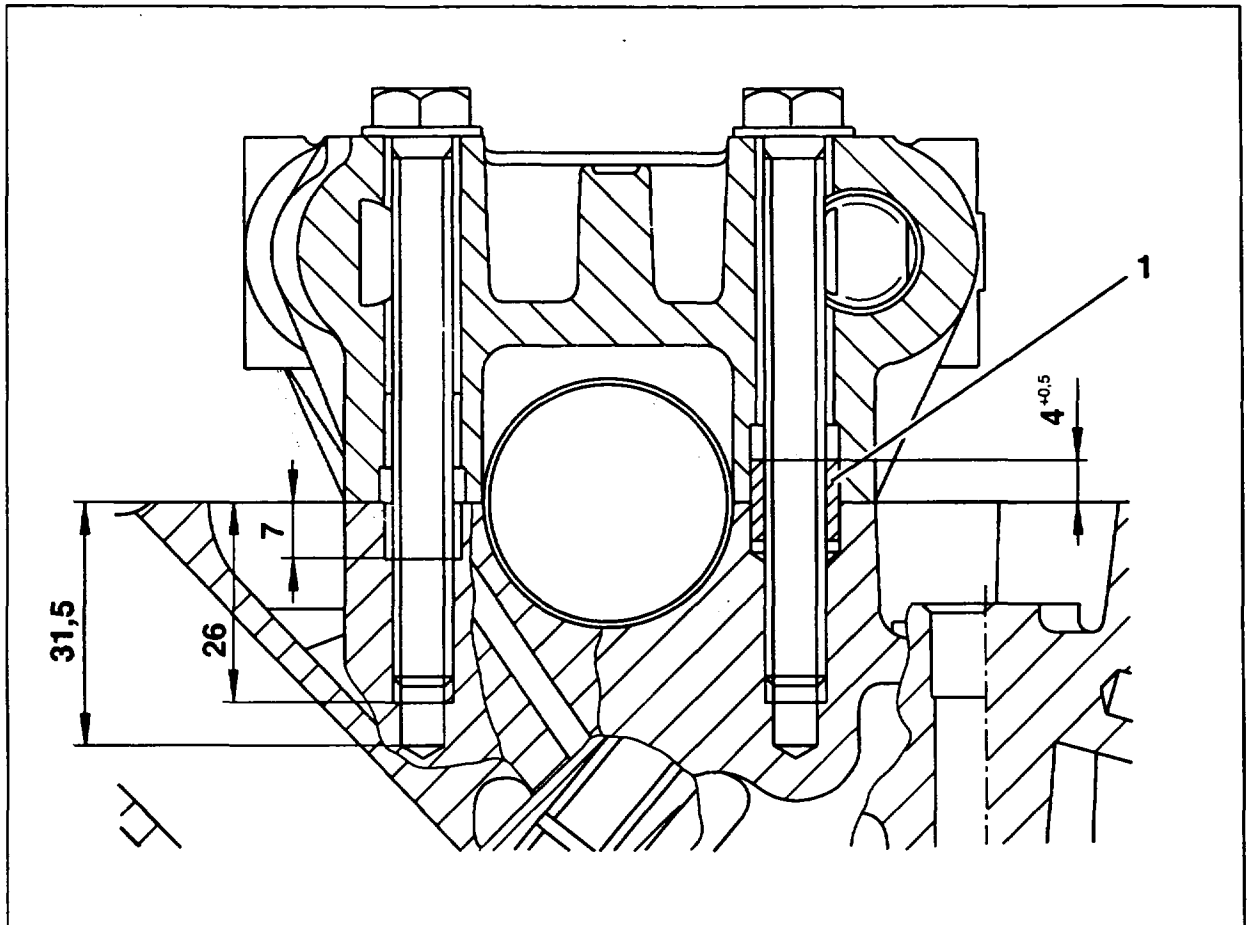


## 01-4192 Servicing threads for camshaft bearing cap bolts

Preceding work:  
Camshaft removed (05-2200).

Operation no. of operation texts and work units or standard texts  
and flat rates



P01-6043-57

Dowel sleeves (1) .....	remove, install
Bore .....	widen, pay attention to drilling depth of core plug
HELI-COIL thread .....	tap
HELI-COIL threaded insert .....	screw in



**Data in mm**

Twist drill $\varnothing$	8.4
Depth of core plug from contact surface	30
Threaded insert below contact surface	8
Length of thread screwed in	20

**Commercially available tools**

HELI-COIL M8 hand thread rough tap	eg.	Böllhoff GmbH Postfach 14 02 29 D-33622 Bielefeld Order no. 0140.108 0104
HELI-COIL M8 hand thread final tap	eg.	Böllhoff GmbH Postfach 14 02 29 D-33622 Bielefeld Order no. 0140.208 0102
HELI-COIL hand insertion tool	eg.	Böllhoff GmbH Postfach 14 02 29 D-33622 Bielefeld Order no. 0150.040 800
HELI-COIL M8 x 20 threaded insert	eg.	Böllhoff GmbH Postfach 14 02 29 D-33622 Bielefeld Order no. 0130.008 0020

