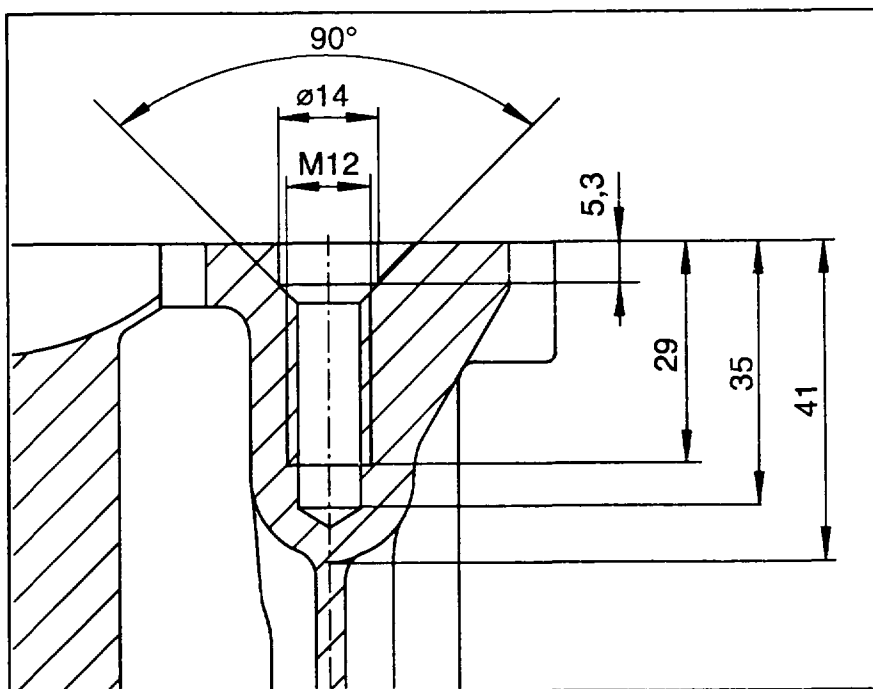


01-1220 Servicing threaded holes for cylinder head bolts

Preceding work:
Cylinder head removed (01-4150).

Operation no. of operation texts and work units or standard texts
and flat rates



P01-6048-35

Bore	widen, pay attention to drilling depth of core plug
HELI-COIL thread	tap
HELI-COIL threaded insert	screw in

Data in mm

Twist drill Ø	12.5
Core plug depth from contact surface	35
HELI-COIL thread insert below contact surface	5.3
HELI-COIL thread length screwed in	26
HELI-COIL thread length block size	23.1



