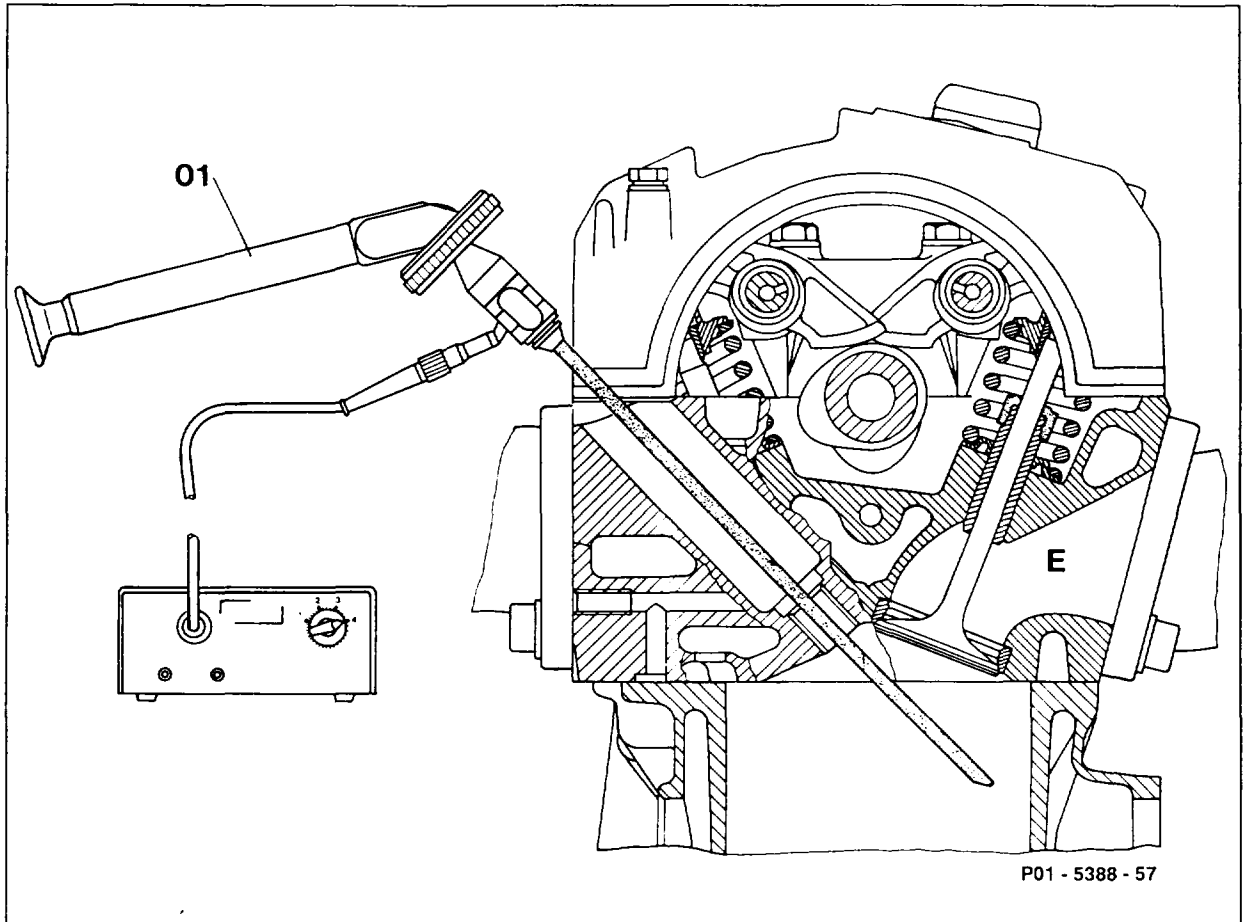


01-0200 Inspecting, assessing cylinders with inspection lamp

Preceding work:
Removing and installing spark plugs (15-1031).

Operation no. of operation texts and work units or standard texts
and flat rates
01-1321



Piston	move into BDC, see table.
Motoskop and lense probe	connect. Motoskop TW 12 V to vehicle battery Motoskop TW 220 V to mains.
Cylinder	illuminate, assess, see note.

Commercially available tool

Cylinder inspection lamp

eg. Karl Storz GmbH,
D-78532 Tuttlingen
Motoskop TW (cold light)
with lense probe 103 26 CW
(570 mm)

Marking number on TDC pointer	Piston in BDC position
60	3 and 4
180	1 and 6
300	2 and 5

Note

A distinction must be made in the case of markings on the cylinder surface between "optical stripes" or "rub stripes".

Optical stripes are not roughened and may originate from the ring gap. The traces of honing are still visible.

In the case of rub stripes or cylinder wear, the cylinder surface is roughened or smoothed and the traces of honing are no longer visible.