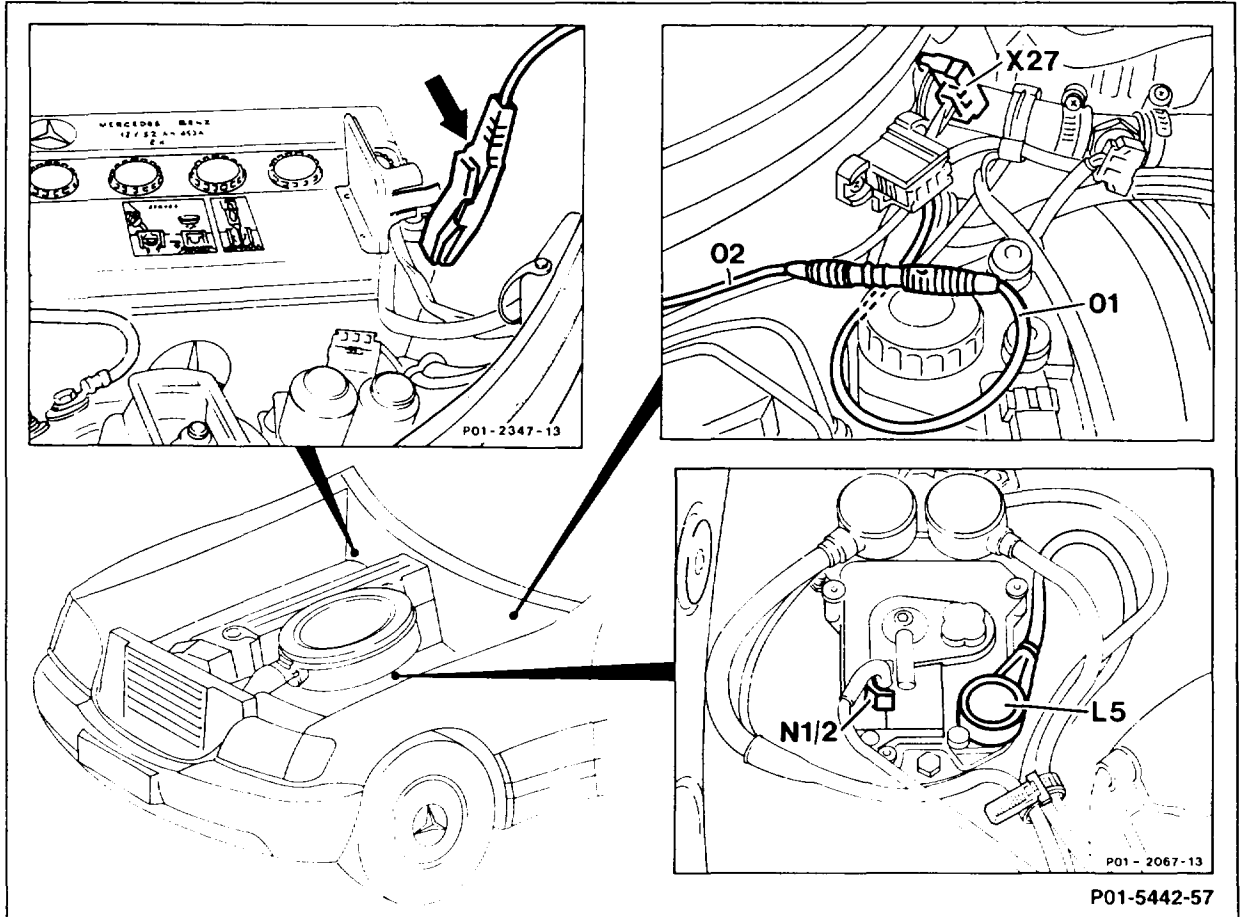


01-0110 Cranking engine with starter

Preceding work:
Warning instructions when hood open (01-0085).

Models 107, 124, 126, 201



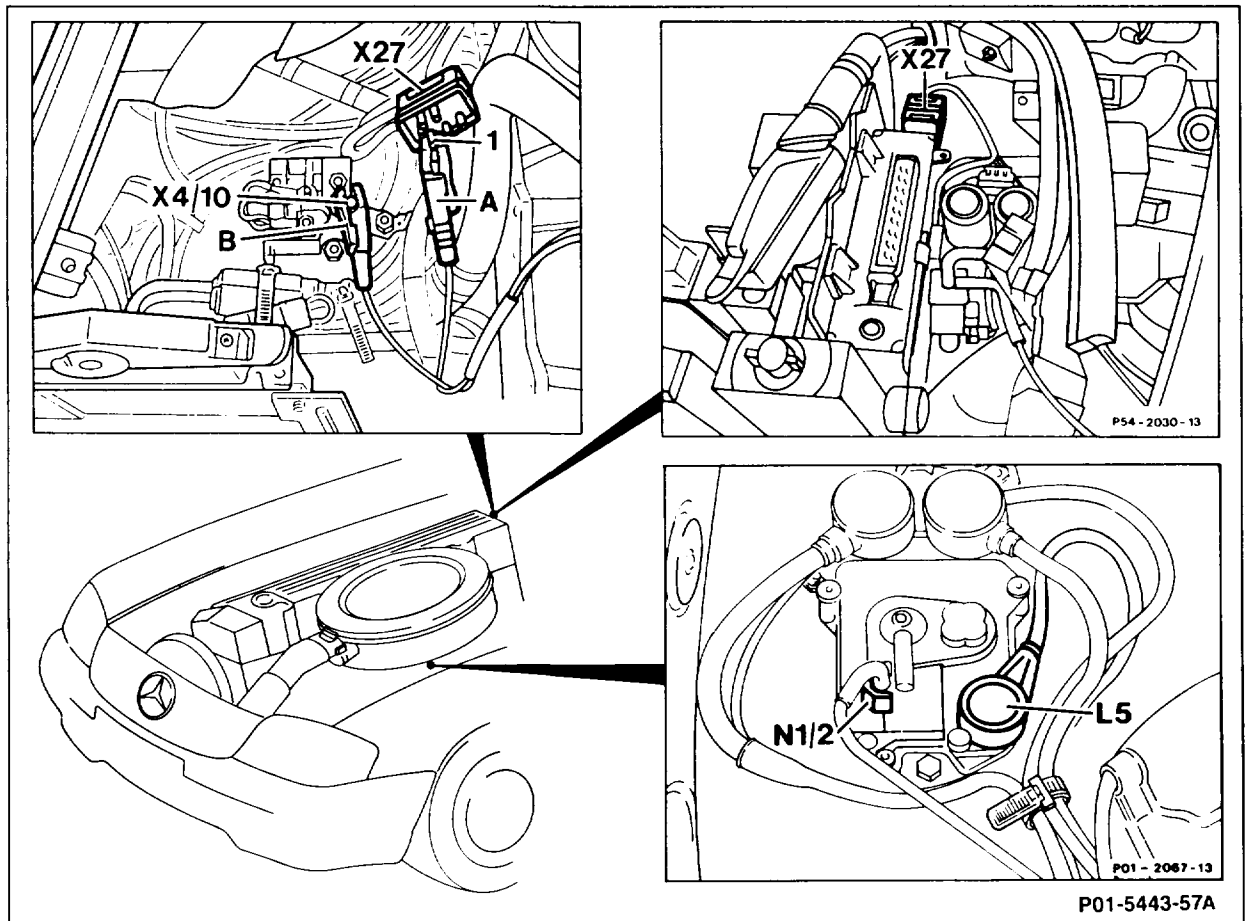
- | | |
|----------------------------------------------------------------------------------------------|-----------------------------------------------|
| Ignition | switch off. |
| Plug connection of crankshaft position sensor (L5) at EZL ignition control unit (N1/2) | unplug, plug in. |
| Clamp (arrow) of compression pressure recorder 001 589 76 21 00 | clamp onto positive cable of battery (arrow). |
| Connector of plug connection (X27) | unplug. |

Note
Model 107: The plug connection (X27) is located on the left next to the battery.

- | | |
|-------------------------------------------|--------------------------------------------------------------------|
| Adapter cable (01) 124 589 36 63 00 | connect to plug connection (X27). |
| Adapter cable (01) | connect to cable (02) of compression pressure recorder. |
| Engine | crank by pressing contact handle on compression pressure recorder. |

Preceding work:
Warning instructions when hood open (01-0085).

Model 129



Ignition

switch off.

| | |
|--------------------------------------------------------------------------------------------------|--------------------------------------------------------------------|
| Plug connection of crankshaft position sensor (L5) at EZL ignition control unit (N1/2) | unplug, plug in. |
| Cover above component compartment panel | remove, install. |
| Connector of plug connection (X27) | unplug. |
| Clamp (A) of compression pressure recorder 001 589 76 21 00 | connect at pin 1 of plug connection (X27). |
| Clamp (B) of compression pressure recorder | connect to terminal block (X4/10). |
| Engine | crank by pressing contact handle on compression pressure recorder. |

Special tools

