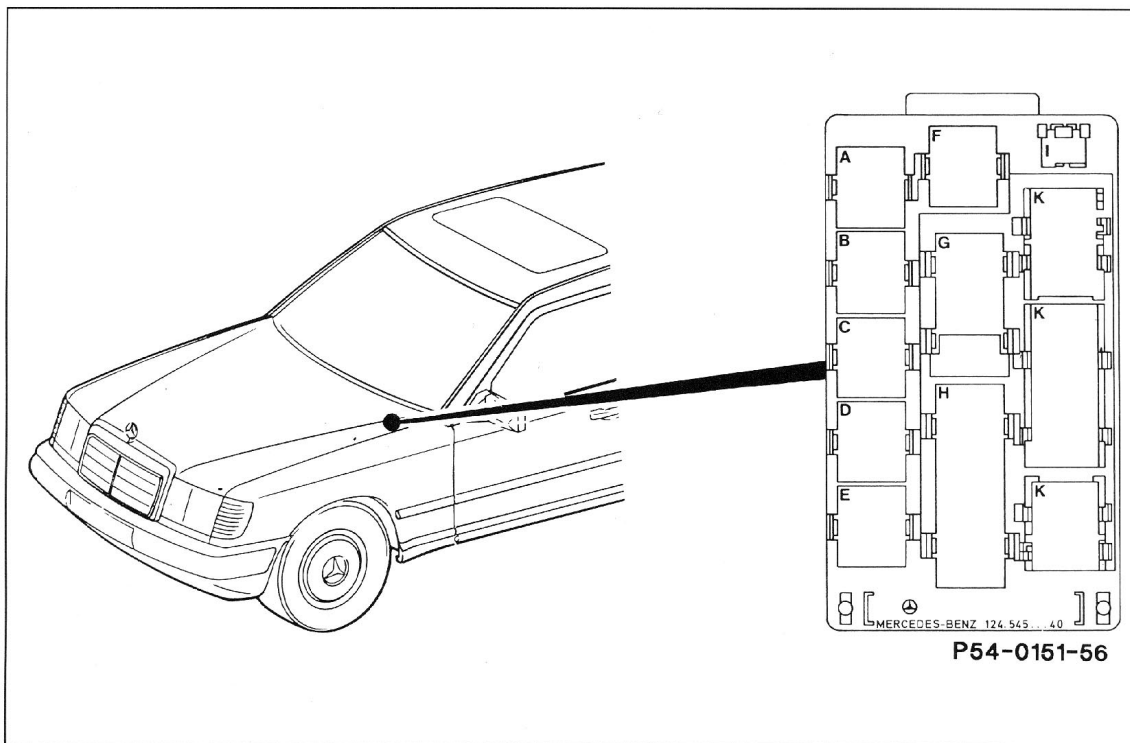


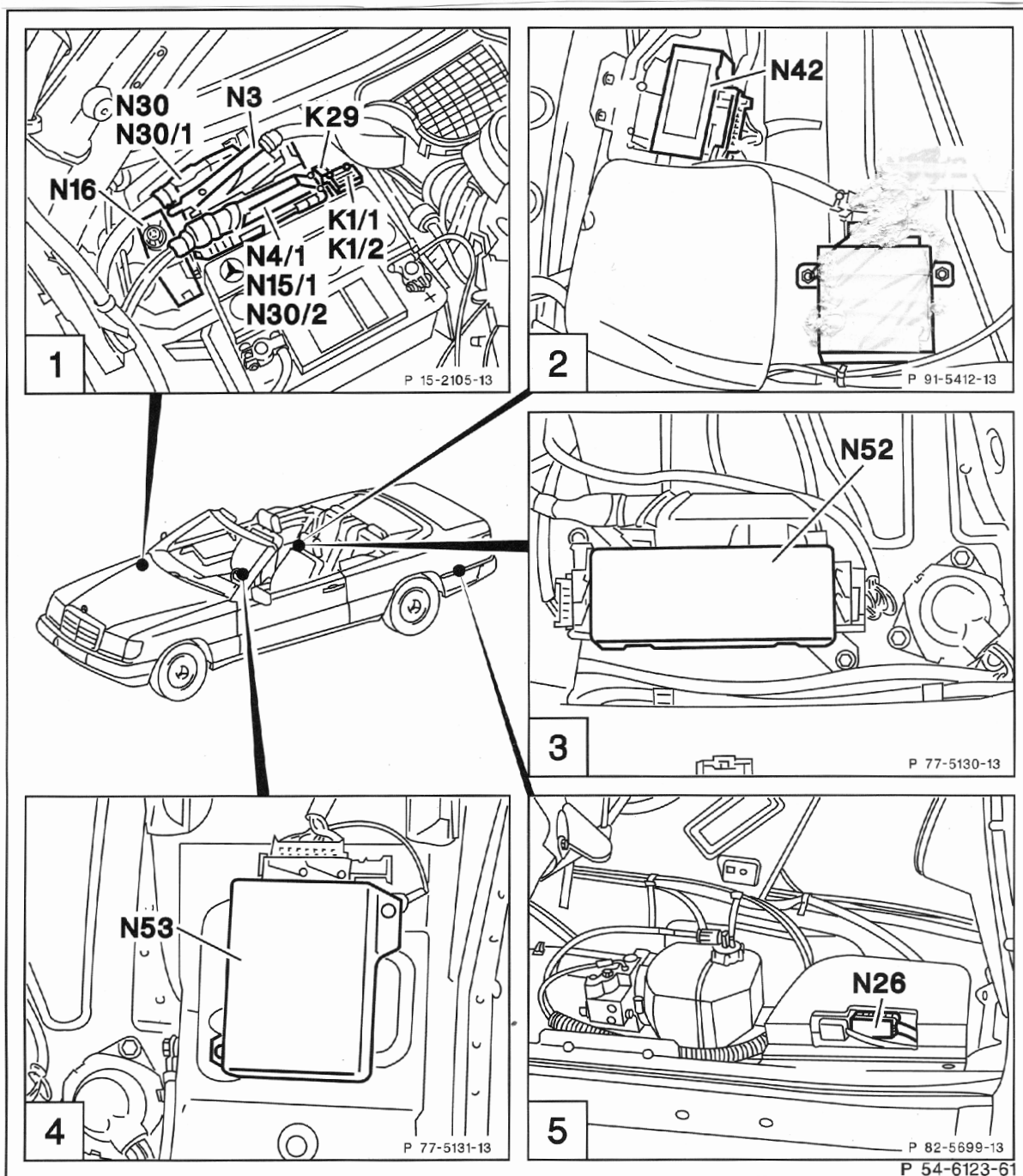
		Page No.	Fig. No.
K1/2	Overvoltage protection relay module (87E/87L/30a, 9-pole)	B.2/2	1
K2	Headlamp washer relay module	B.2/1	
K3/1	Intake manifold preheater relay module	B.2/4	14
K5	Power seat relay module	B.2/1	
K9	Auxiliary fan relay module	B.2/1	
K9k1	Auxiliary fan relay Models 124.034/.036	B.2/1	
K9k2	Auxiliary fan preresistor relay Models 124.034/.036	B.2/1	
K10	Auxiliary fan preresistor relay module	B.2/1	
K11/1	Left head restraint adjustment relay module	B.2/10	42
K11/2	Right head restraint adjustment relay module	B.2/10	42
K12/1	Cruise control/engine overload protection relay module	B.2/10	43
K17	Secondary air injection relay module	B.2/1	
K24	Convenience relay module	B.2/1	
K27	Fuel pumps relay module Model 124.034/.036	B.2/4	12
	Model 124. ... (except model 124.034/.036)	B.2/4	11
K29/1	First gear start relay module	B.2/1	
K38	Starter lock-out relay module (ATA)	B.2/6	24
N1/3	Ignition control module (knock sensor)	B.2/4	13
N2/2	Supplemental restraint system control module	B.2/7	28
N2/4	Seat belt/keys/lights warning module (USA)	B.2/6	25
N3	Continuous fuel injection control module	B.2/2	1
N3/1	LH sequential multiport fuel injection control module	B.2/8	31
N3/4	Engine control module (HFM-SFI)	B.2/8	33
N4/1	Electronic accelerator/cruise control module Cabriolet	B.2/2	1
	Model 124.034/.036	B.2/8	31
	Model 124. ... (except model 124.034/.036 and Cabriolet)	B.2/8	32
N4/3	Cruise control/idle speed control module	B.2/8	31
N6	A/C compressor control module	B.2/4	32
N7	Exterior lamp failure monitoring module	B.2/1	
N10	Combination relay (turn/hazard signal, heated rear window, wiper motor)	B.2/1	
N10/2	Combination relay module (turn signal with trailer coupling, rear window defroster, wiper motor, anti-theft alarm system)	B.2/1	
N13	Rear window intermittent wiper timer	B.2/10	41
N14	Preglow time-limit relay module	B.2/10	40
N16	Engine systems control module	B.2/2	1
N16/1	Base module	B.2/8	31

		Page No.	Fig. No.
N17/1	Fuel shut-off valve relay module	B.2/1	
N17/2	Fuel shut-off valve relay module (with kickdown cut-out)	B.2/1	
N22	Automatic A/C pushbutton control module	B.2/6	22
N25/5	Front seat heater control module	B.2/5	20
N26	Anti-theft alarm control module		
	Cabriolet	B.2/2	5
	Model 124. ... (except Cabriolet)	B.2/7	30
N29	Electronic blower regulator	B.2/7	26
N30	Antilock brake system control module		
	Cabriolet	B.2/2	1
	Model 124. ... (except Cabriolet)	B.2/4	11
N30/1	Antilock brake system/acceleration slip regulation control module		
	Model 124.034/.036	B.2/8	31
	Model 124. ... (except Model 124.034/.036)	B.2/2	1
N30/2	Automatic locking differential control module	B.2/2	1
N31	Left power seat control module	B.2/9	38
N32	Right power seat control module	B.2/9	38
N32/1	Left front power seat control module (with memory)	B.2/9	38
N32/2	Right front power seat control module (with memory)	B.2/9	38
N35	Daytime running lamp control module	B.2/6	25
N40	Audio power amplifier (circuit 58D)	B.2/6	25
N40/3	Left/right speakers audio power amplifier	B.2/9	37
N42	Left seat belt extender control module		17
	Coupé B.2/5		
	Cabriolet	B.2/2	2
N43	Right seat belt extender control module	B.2/5	17
N49	Steering angle sensor	B.2/6	25
N52	Power soft top control module	B.2/2	3
N53	Roll bar control module (crash deployment)	B.2/2	4
N53/2	Roll bar control module (manual soft top)	B.2/2	2
N54	Infrared remote control module	B.2/3	7
N57	Convenience control module (power windows, sliding/pop-up roof)	B.2/5	20
N59	Diagnostic module ( California version engines 104/119)	B.2/8	35

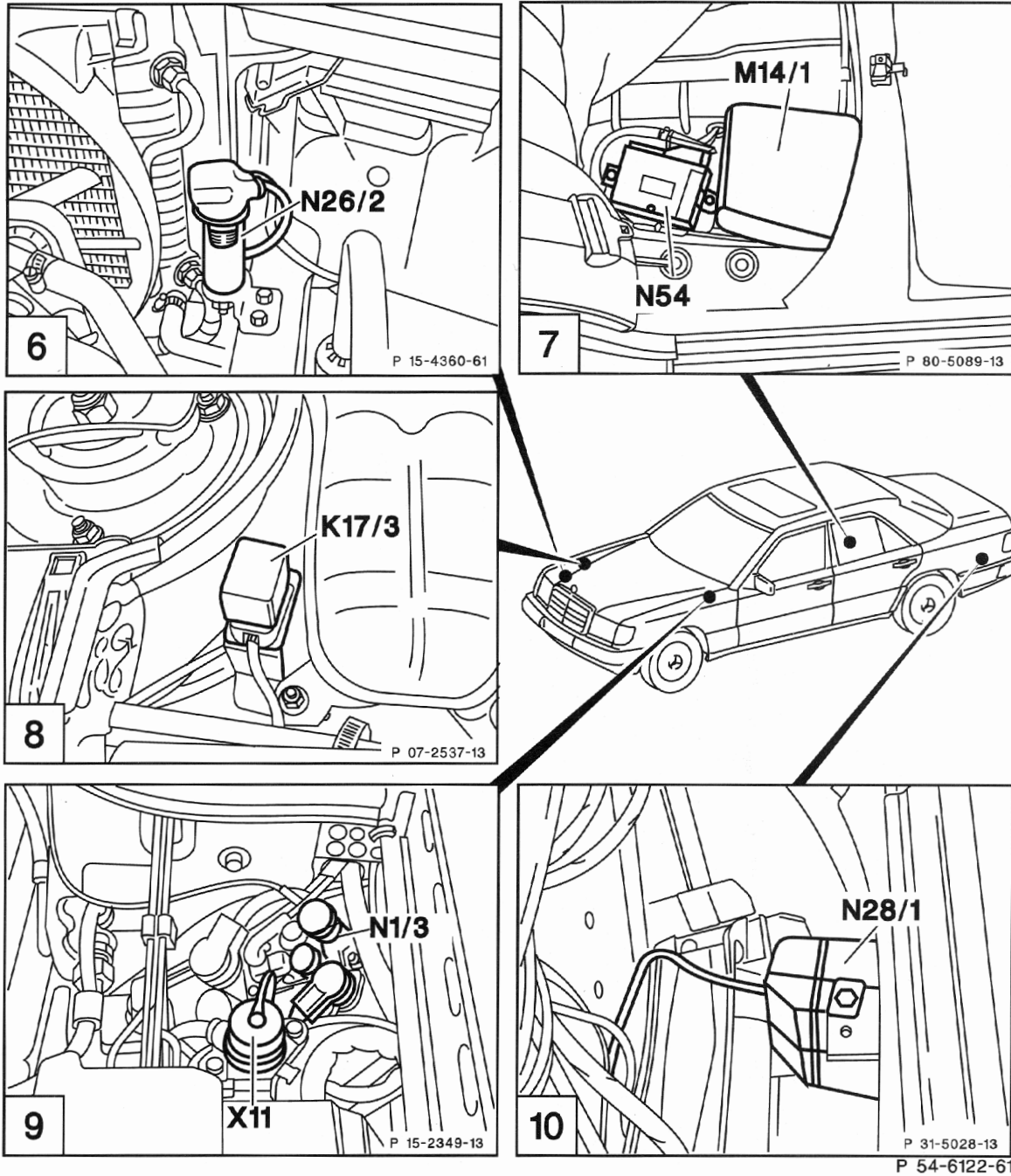
**Location of Relays in Fuse/Relay Box F1**



Relay Code	Designation	Relay-Funtion
A	K5	Power seat relay module
B	K9k1	Auxiliary fan relay Models 124.034/.036
	K10	Auxiliary fan preresistor relay module
C	K9	Auxiliary fan relay module
	K9k2	Auxiliary fan preresistor relay Models 124.034/.036
D	K2	Headlamp washer relay module
E	F14	Auxiliary fuse holder (ATA)
	K17	Secondary air injection relay module Models 124.034/.036
F	K24	Convenience relay module
G	K18/1	Seat belt warning relay module (Coupé only)
	K29/1	First gear start relay module
H	N10	Combination relay (turn/hazard signal, Heated rear window, Wiper motor)
I	V5	Disconnect diode (parking brake/ASR/electronic accelerator) Models 124.034/.036
K	N7	Exterior lamp failure monitoring module



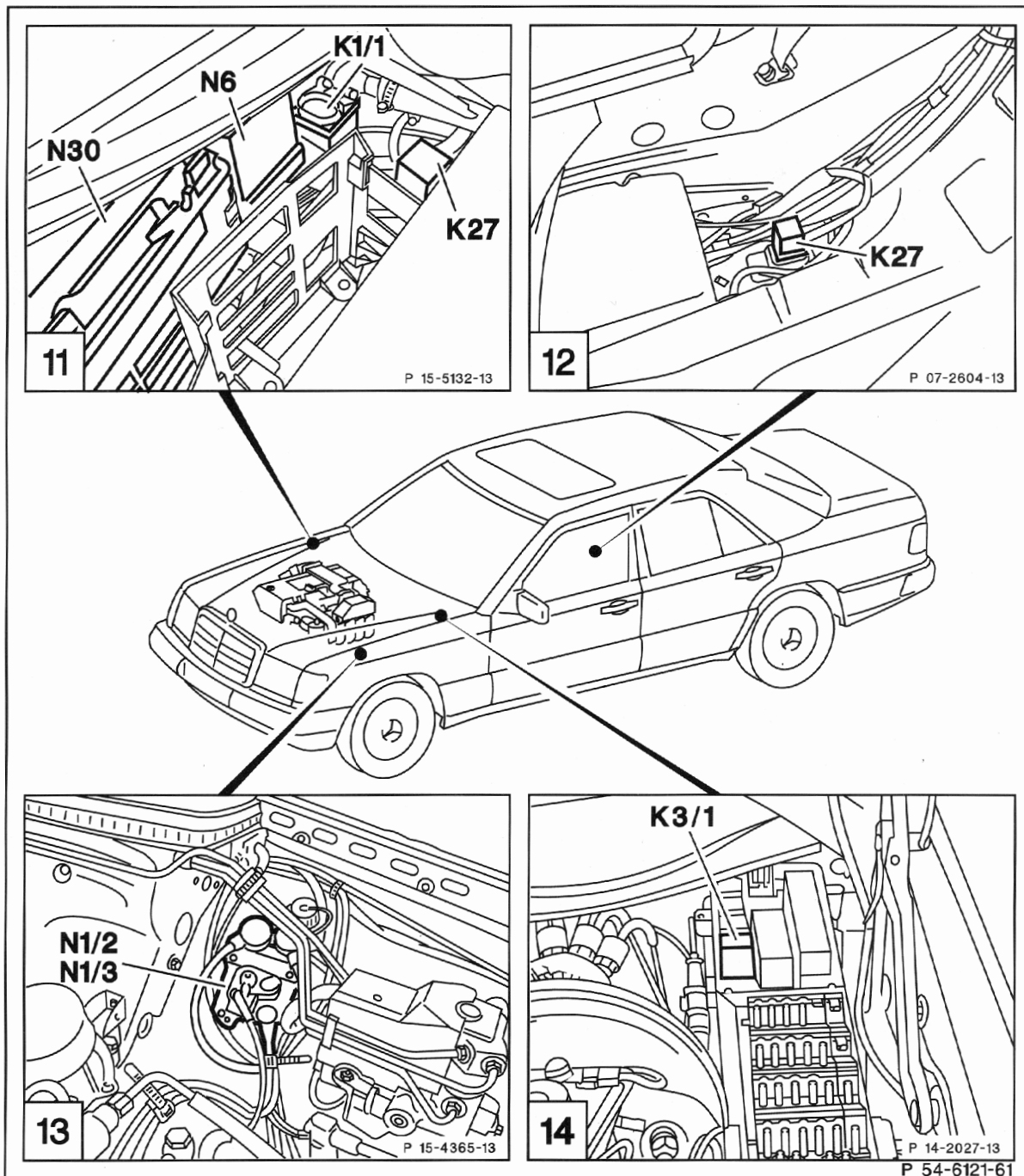
- |      |   |       |   |
|------|---|-------|---|
| K1/2 | Overvoltage protection relay module (87E/87L/30a, 9-pole) | N30   | Antilock brake system control module                              |
| N3   | Continuous fuel injection control module                  | N30/1 | Antilock brake system/acceleration slip regulation control module |
| N4/1 | Electronic accelerator/cruise control module              | N30/2 | Automatic locking differential control module                     |
| N16  | Engine systems control module                             | N42   | Left seat belt extender control module                            |
| N26  | Anti-theft alarm control module                           | N52   | Power soft top control module                                     |
|      |   | N53   | Roll bar control module (crash deployment)                        |



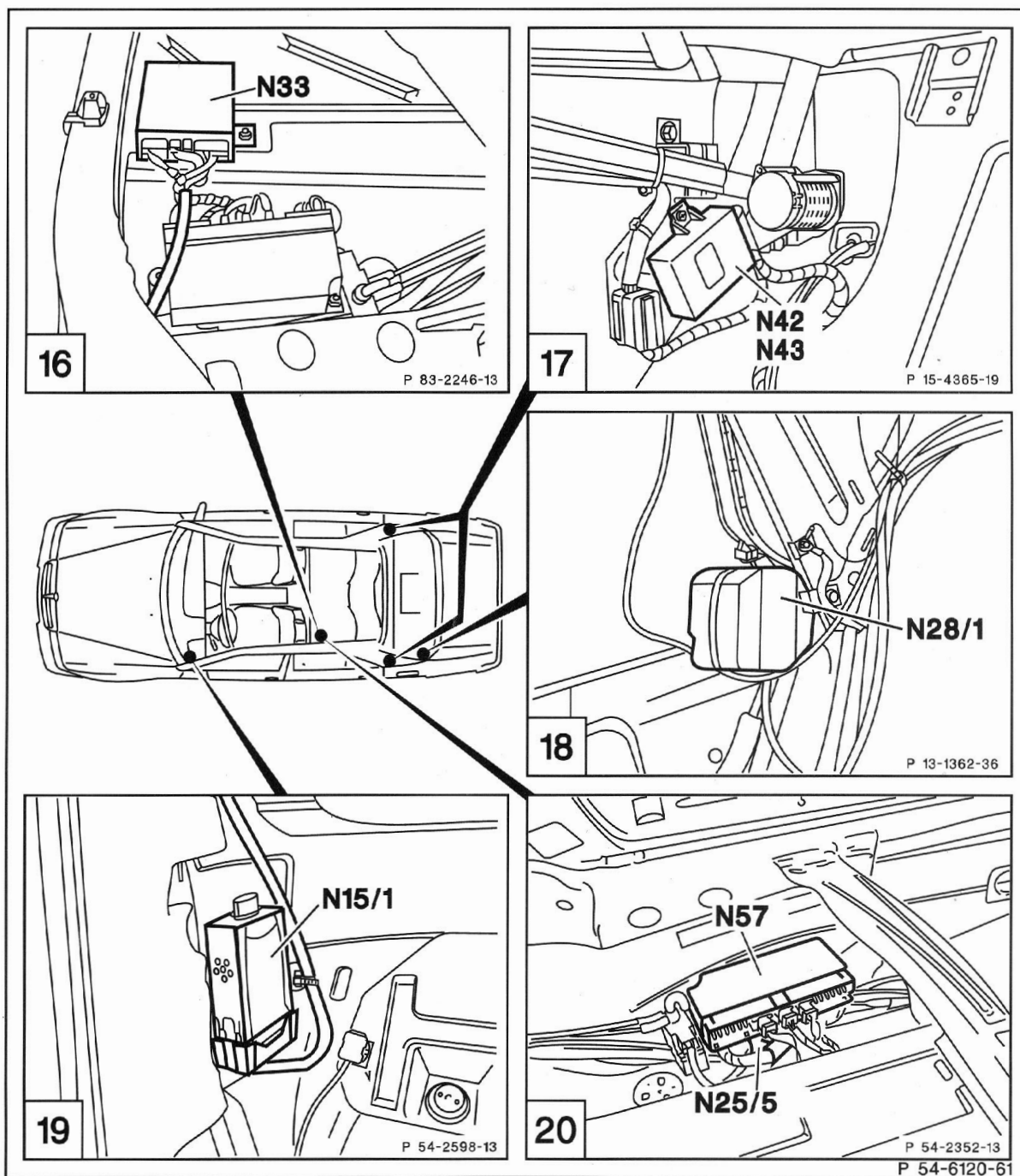
N6 A/C compressor control module  
 N16/3 Fuel pump relay module

N16/4 Fuel pump relay module (with  
 kickdown cut-out)



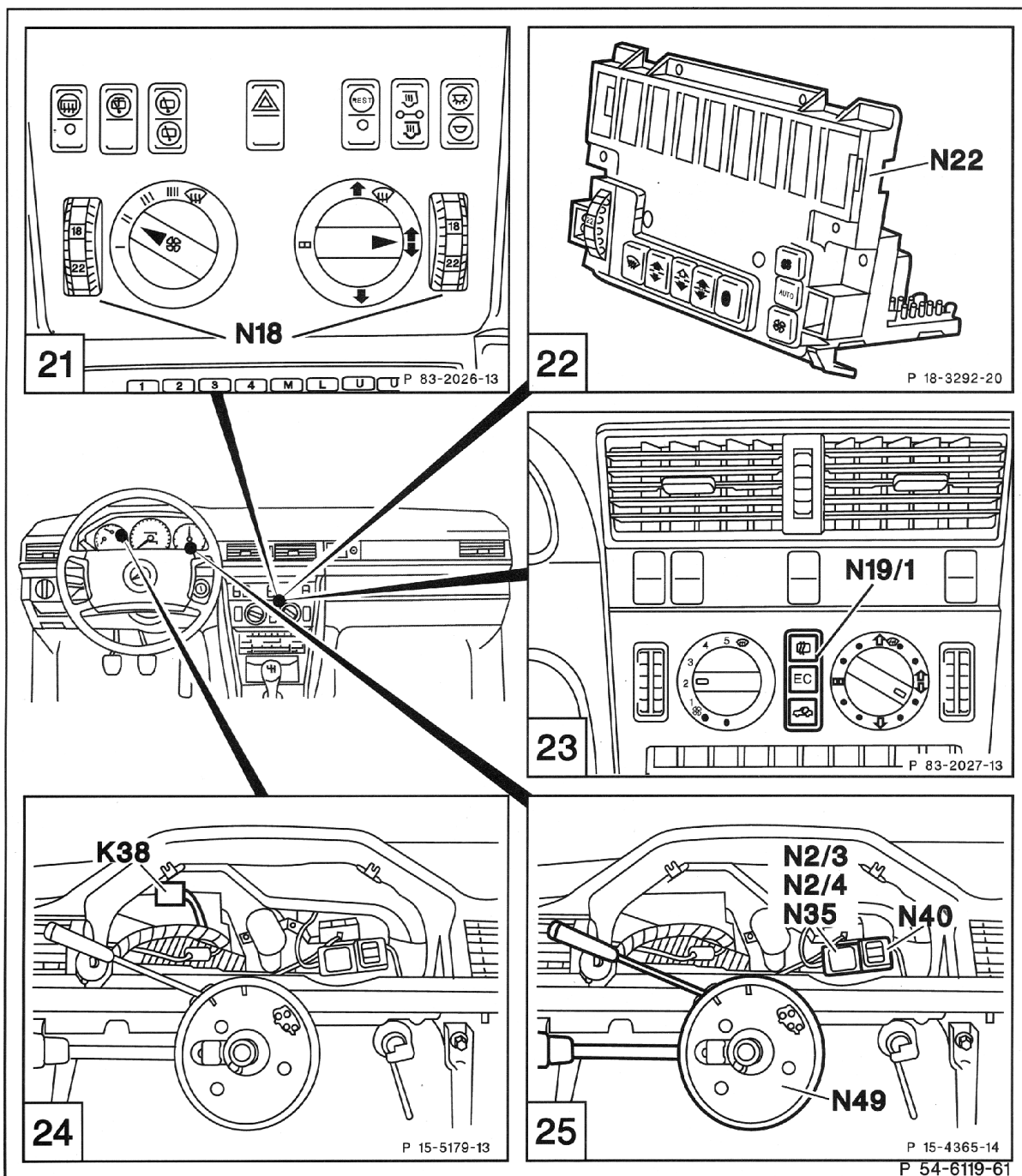


- |      |  |     |                                      |
|------|--|-----|--------------------------------------|
| K27  | Fuel pumps relay module                | N6  | A/C compressor control module        |
| N1/3 | Ignition control module (knock sensor) | N30 | Antilock brake system control module |



N25/5 Front seat heater control module  
 N42 Left seat belt extender control module  
 N43 Right seat belt extender control module

N57 Convenience control module (power windows, sliding/pop-up roof)

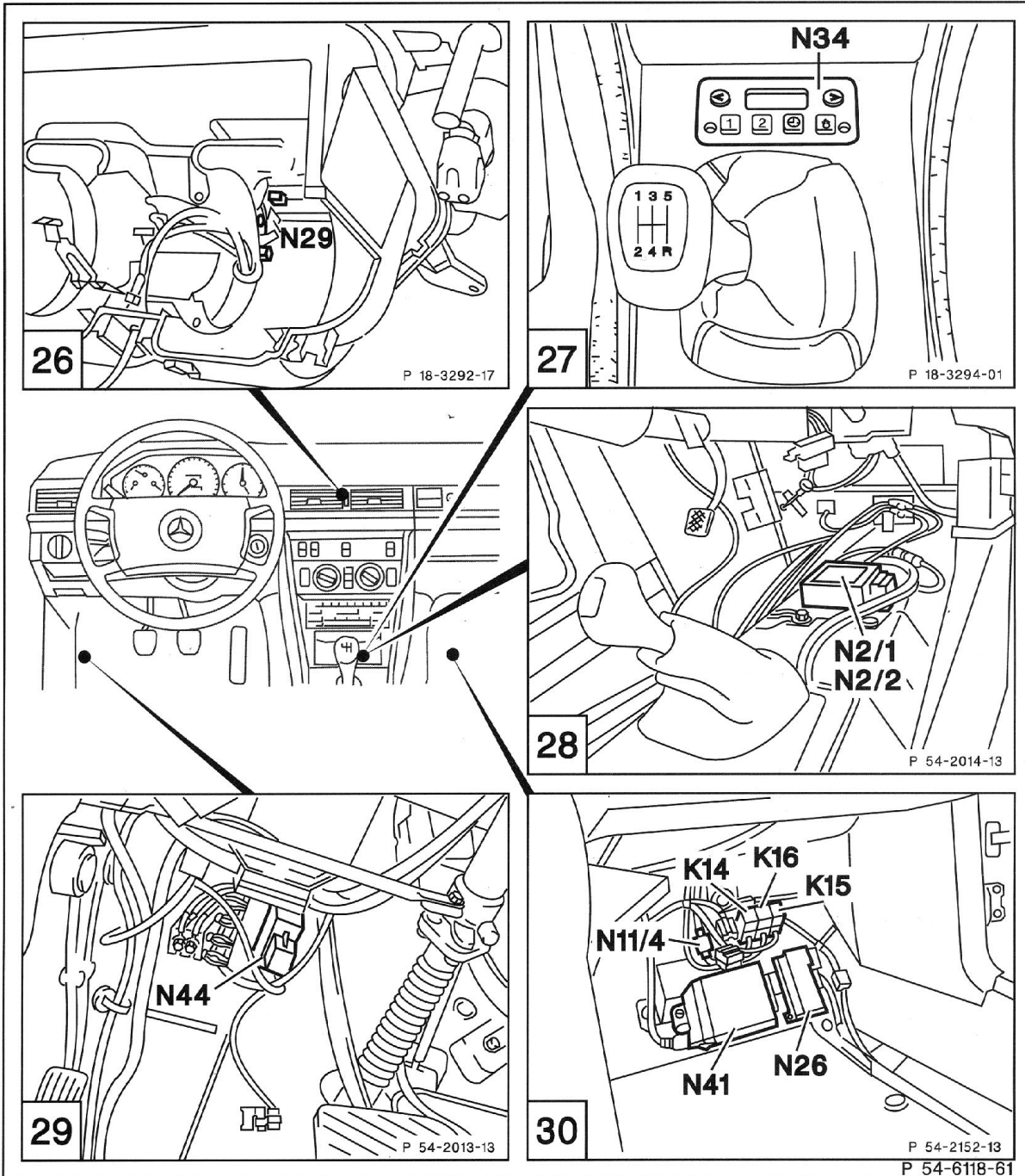


K38 Starter lock-out relay module (ATA)  
N2/4 Seat belt/keys/lights warning module

USA

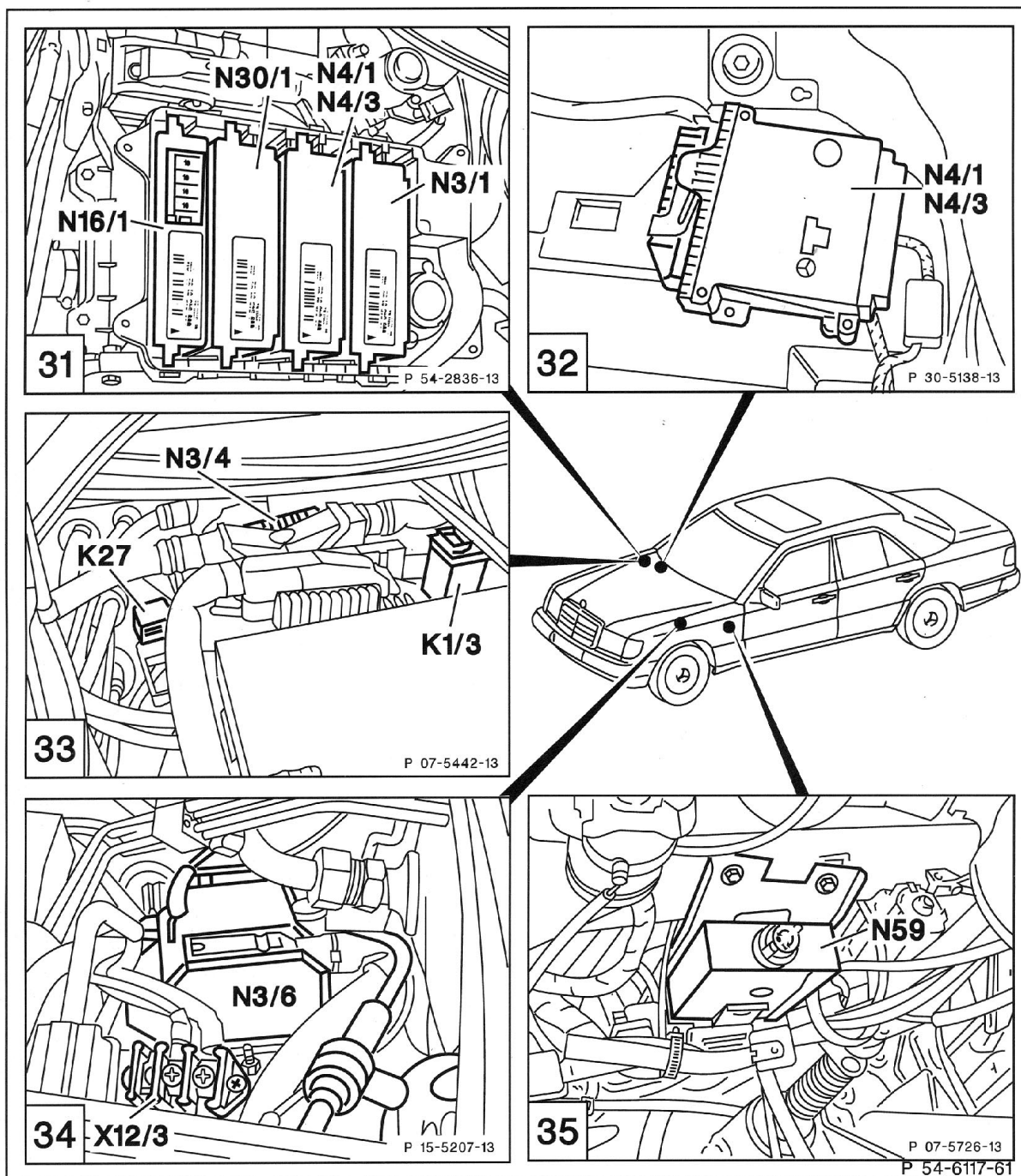
N22 Automatic A/C pushbutton control module  
N35 Daytime running lamp control module  
N40 Audio power amplifier (circuit 58D)  
N49 Steering angle sensor





N2/2 Supplemental restraint system control module

N26 Anti-theft alarm control module  
N29 Electronic blower regulator



K1/2 Overvoltage protection relay module (87E/87L/30a, 9-pole)

K27 Fuel pumps relay module

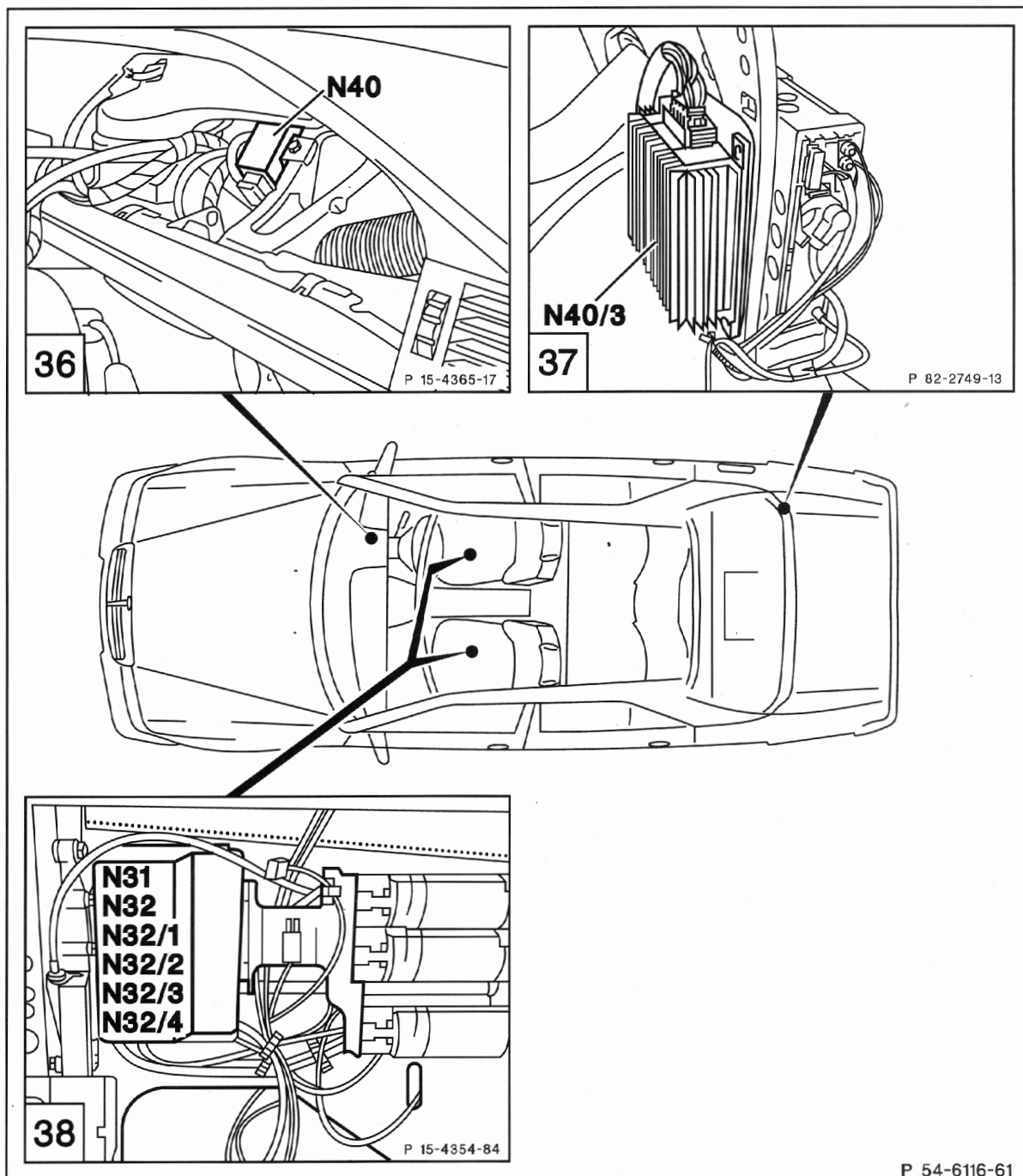
N3/1 LH sequential multipoint fuel injection control module

N4/1 Electronic accelerator/cruise control module

N4/3 Cruise control/idle speed control module

N16/1 Base module

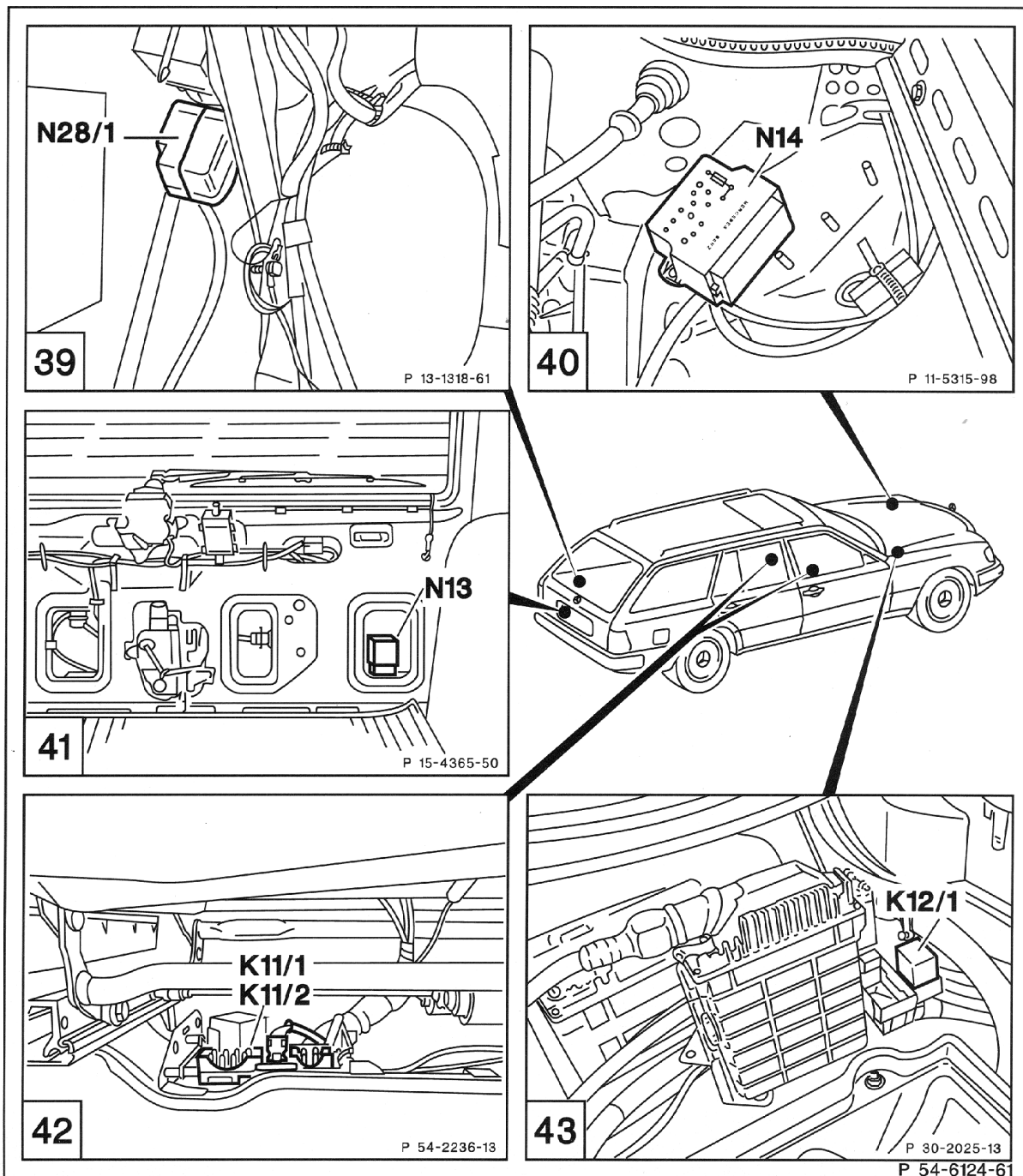
N59 Diagnostic module ( California version engines 104/119)



N31 Left power seat control module  
 N32 Right power seat control module  
 N32/1 Left front power seat control module (with memory)

N32/2 Right front power seat control module (with memory)  
 N40/3 Left/right speakers audio power amplifier





K11/1 Left head restraint adjustment relay module

K11/2 Right head restraint adjustment relay module

K12/1 Cruise control/engine overload protection relay module

N13 Rear window intermittent wiper timer