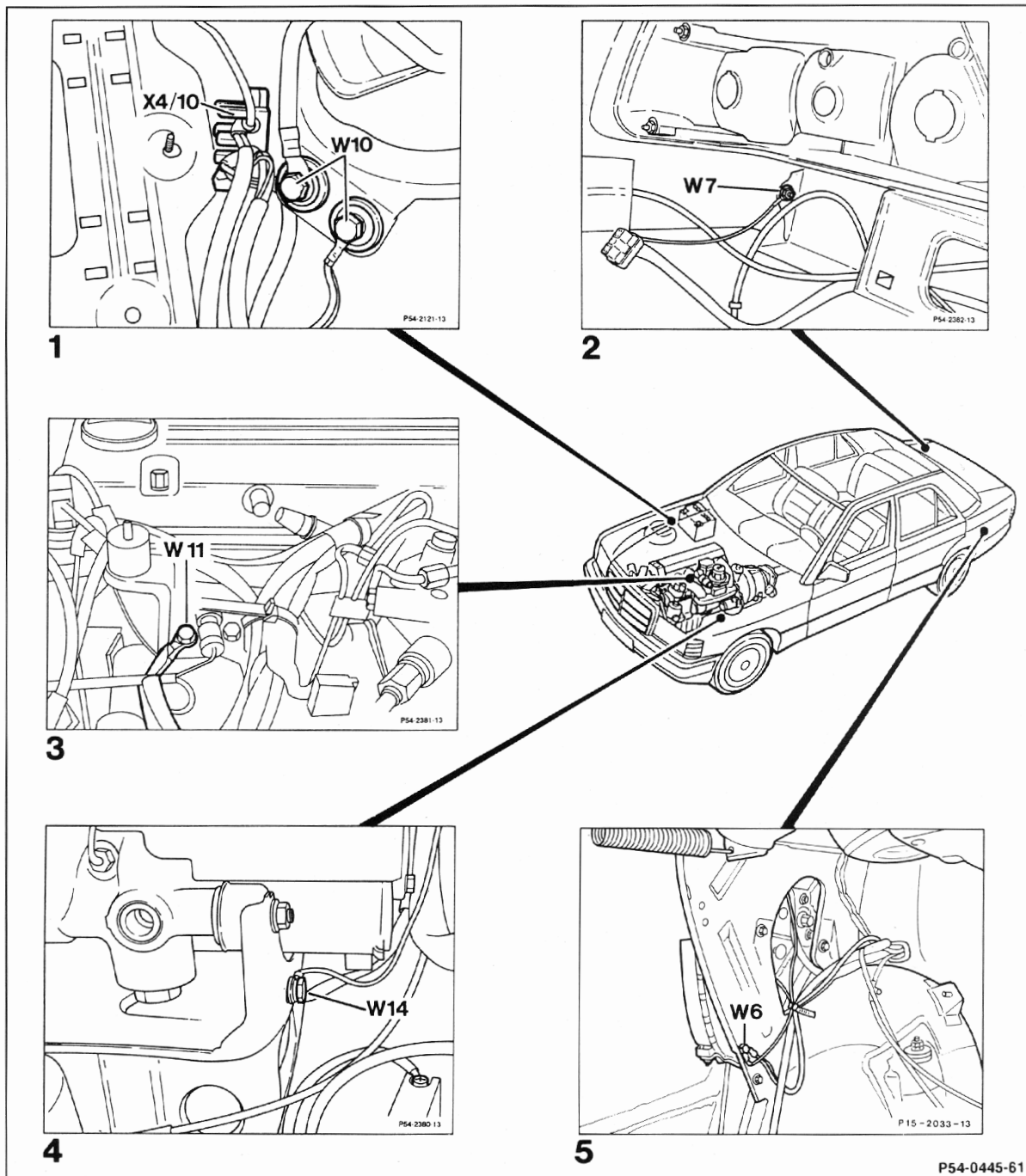
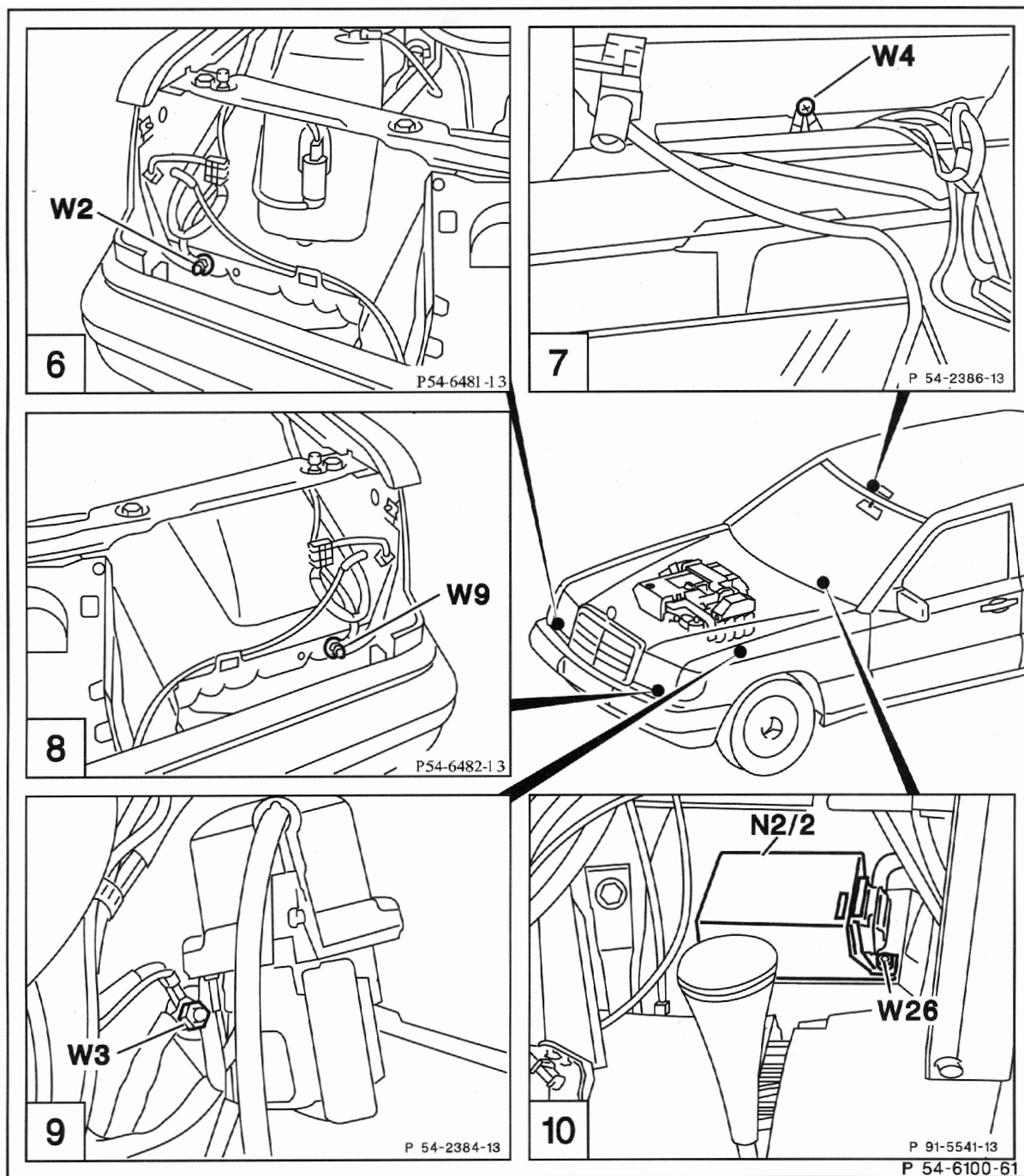


W1	Main ground (behind instrument cluster)	B.3/3	12
W2	Ground (at right headlamp unit)	B.3/2	6
W3	Ground (left front wheelhousing at ignition coil)	B.3/2	9
W4	Ground (front dome lamp)	B.3/2	7
W6	Ground (left wheelhousing in trunk)		
	Sedan/ Coupé/ Cabriolet	B.3/1	5
	Station wagon	B.3/4	15
W7	Ground (right wheelhousing in trunk)		
	Sedan/ Coupé/ Cabriolet	B.3/1	2
	Station wagon	B.3/4	13
W8	Ground (tailgate terminal block)	B.3/4	14
W9	Ground (at left headlamp unit)	B.3/2	8
W10	Ground (battery)	B.3/1	1
W10/1	Ground (electronics)	B.3/3	13
W11	Ground (engine - connection point for ground wires)	B.3/1	3
W12	Ground (center console)	B.3/3	10
W13	Ground (rear window defroster)	B.3/3	11
W14	Ground (ABS hydraulic unit bracket)	B.3/1	4
W26	Ground (SRS control module)	B.3/2	10



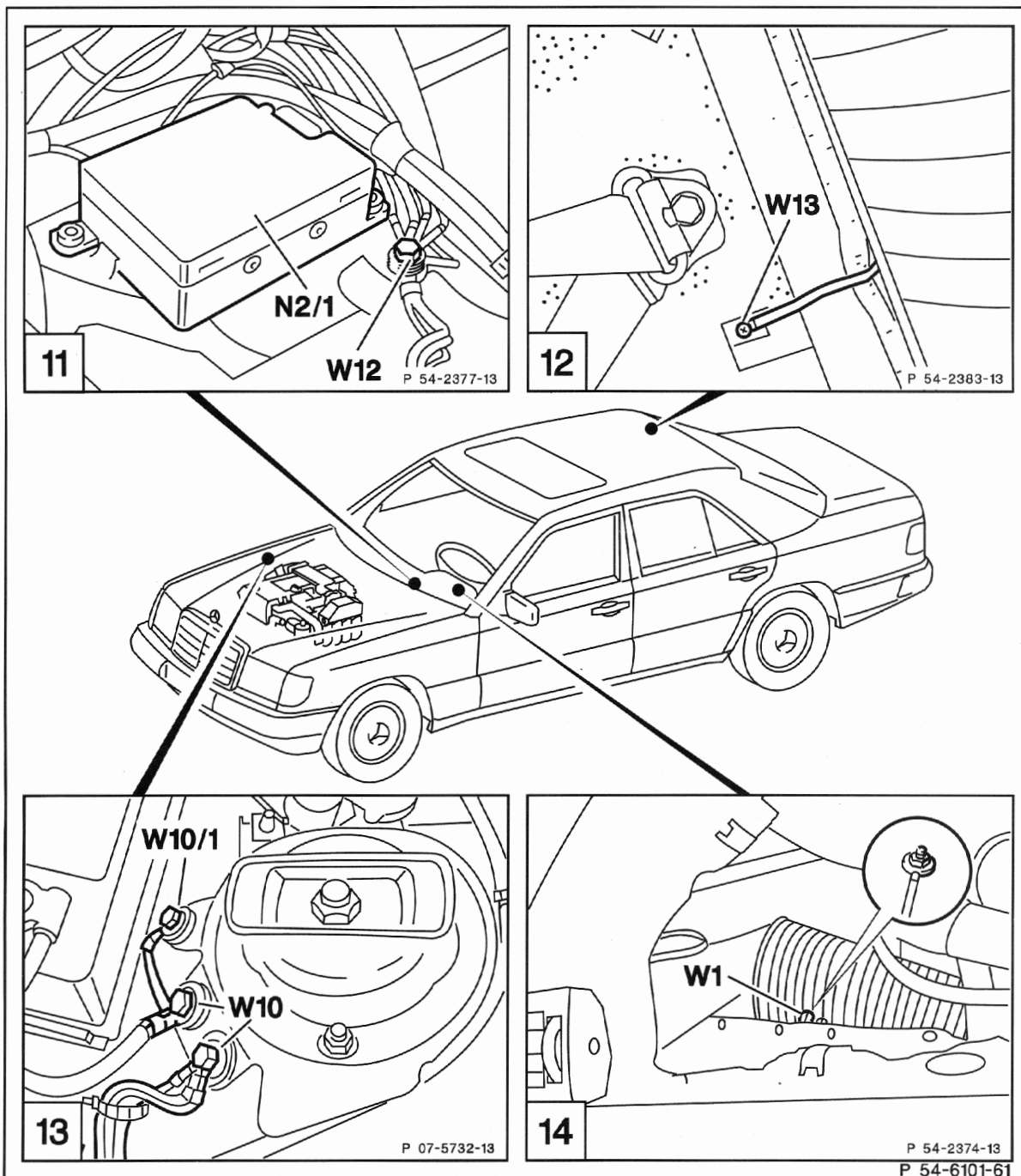
W6 Ground (left wheelhousing in trunk)
 W7 Ground (right wheelhousing in trunk)
 W10 Ground (battery)

W11 Ground (engine - connection point for ground wires)
 W14 Ground (ABS hydraulic unit bracket)



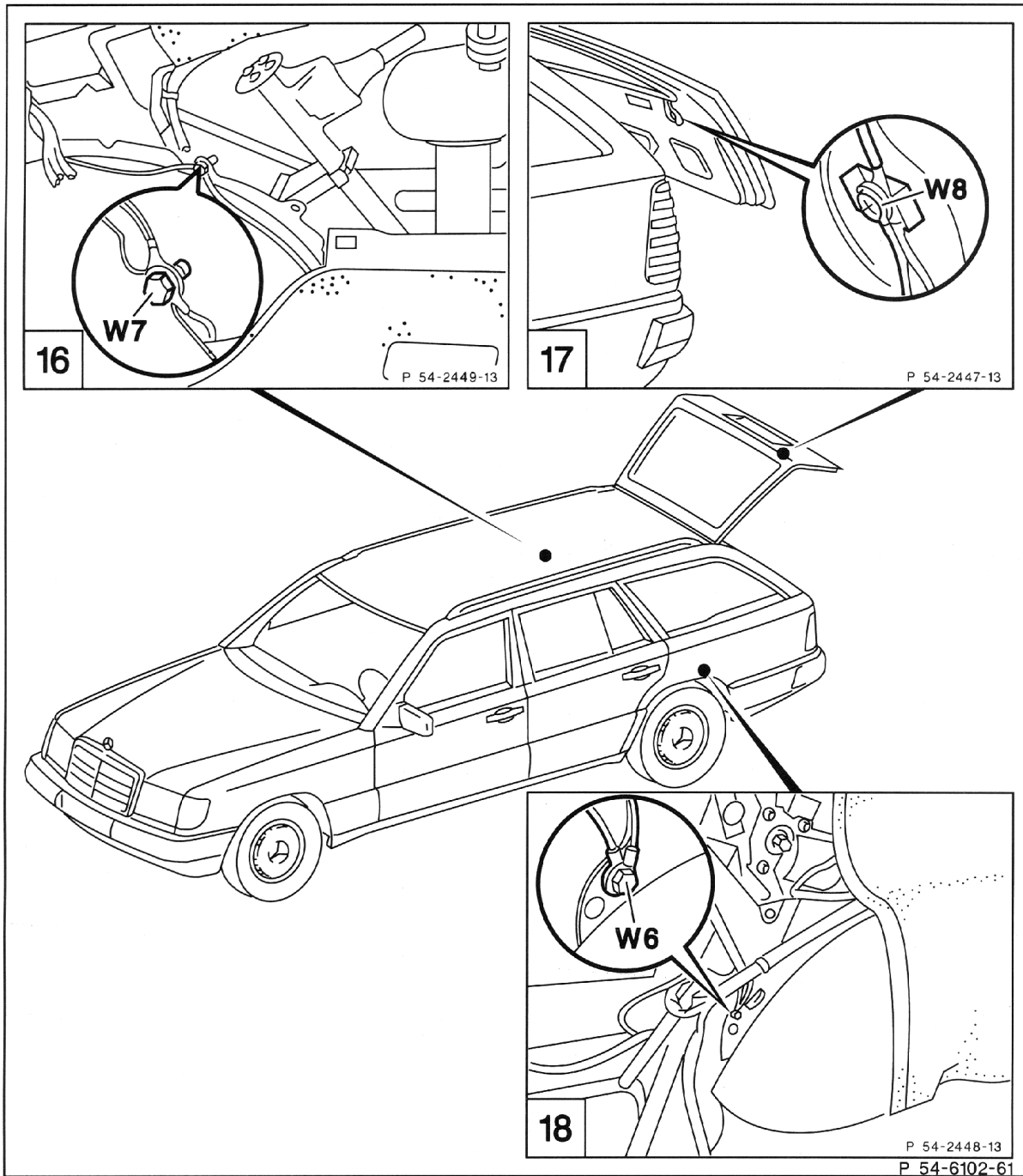
- W2 Ground (at right headlamp unit)
- W3 Ground (left front wheelhousing at ignition coil)
- W4 Ground (front dome lamp)

- W9 Ground (at left headlamp unit)
- W26 Ground (SRS control module)



W1 Main ground (behind instrument cluster)
 W10 Ground (battery)
 W10/1 Ground (electronics)

W12 Ground (center console)
 W13 Ground (rear window defroster)



- W7 Ground (right wheelhousing in trunk)
- W6 Ground (left wheelhousing in trunk)
- W8 Ground (tailgate terminal block)